

HONDA

OWNER'S MANUAL

READ THIS MANUAL CAREFULLY.
IT CONTAINS IMPORTANT SAFETY INFORMATION.

90
TRX200
FOURTRAX200

MINIMUM RECOMMENDED OPERATOR AGE: 16



IMPORTANT NOTICES

READ THIS MANUAL

Your Owner's Manual contains important information on safety, operation, and maintenance. Anyone who operates this FOURTRAX should carefully read and understand the contents of this manual before riding the vehicle.


AGE RECOMMENDATION

The minimum recommended age for this FOURTRAX model is 16. Children under age 16 should never operate this vehicle.

RIDER TRAINING

Anyone who operates this vehicle should get proper instruction. We recommend a certified rider training course which is available to all interested people. For information, contact your Honda dealer or call 1-800-447-4700.

SPECIAL MESSAGES

Honda provides many important safety messages both in this manual and on the vehicle. For your safety and the safety of others, pay special attention to all warnings preceded by this alert symbol . Failure to follow the warnings contained in this manual can result in **SERIOUS INJURY** or **DEATH**.

DANGER

Indicates that severe personal injury or death will result if instructions are not followed.

WARNING

Indicates a strong possibility that serious injury or death may result if instructions are not followed.

To protect your vehicle from damage, pay attention to cautions.

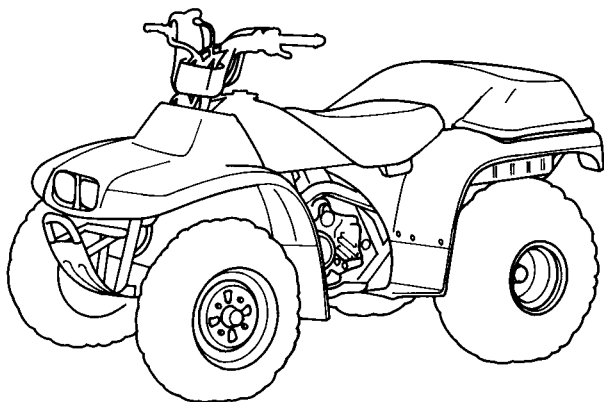
CAUTION:

Indicates a possibility that equipment or property damage could result if instructions are not followed.

The Owner's Manual should be considered a permanent part of your FOURTRAX. It should remain with the vehicle at all times and stay with the FOURTRAX if it is sold.

1990
TRX 200

HONDA FOURTRAX 200 OWNER'S MANUAL



PREFACE

Thank you for buying a Honda FOURTRAX. Honda takes pride in a worldwide reputation for quality—in research, design, production and service. Quality is the hallmark of all Honda products and one reason why Honda is the leading manufacturer of ATVs.

To get the best service from your FOURTRAX, we recommend that during the first few days you operate your vehicle so the engine does not labor or approach maximum rpm in any gear. Avoid full throttle operation, and shift gears frequently to vary engine speed. Careful break-in procedures will extend the service life of your engine.

For replacement parts and accessories, we recommend genuine Honda products. They've been specially designed for your vehicle and manufactured to meet Honda's demanding standards.

This manual contains a Maintenance Schedule and information on basic maintenance procedures. If you have the required skills and tools, your Honda dealer can supply you with an Official Honda Service Manual to help you perform more advanced maintenance and repairs. When you need service, remember that your Honda dealer knows your vehicle best and is interested in your complete satisfaction.

We wish you many years of safe and enjoyable riding.

While reading this manual, remember:

▲ WARNING

Indicates a strong possibility that serious injury or death may result if instructions are not followed.

All information in this publication is based on the latest product information available at the time of approval for printing. Honda Motor Co., Ltd. reserves the right to make changes at any time without notice and without incurring any obligation.

© Honda Motor Co., Ltd. 1990. No part of this publication may be reproduced without written permission from Honda Motor Co., Ltd.

CONTENTS

	Page
FOURTRAX SAFETY	1
Special Safety Messages	1
Warning Information	6
PARTS LOCATION AND OPERATION	10
Parts Location	10
Parts Operation	13
Power Controls	13
Lights	18
Gearshift Controls	20
Brake Controls	22
Fuel Tank Controls	23
Engine Oil	25
Additional Features	26
RIDING YOUR FOURTRAX	30
Before Riding	30
Rider Preparation	30
Vehicle Preparation	32
Safe Riding Rules	40
Riding	52
Starting the Engine	53
Shifting Gears	57
Riding in Reverse	58
Making Turns	60
Riding Up Hills	63
Riding Down Hills	70
Crossing Slopes	72
Making Turns on Slopes	73
Riding Over Obstacles	74
Riding Through Water	75
Parking	76
MAINTENANCE AND REPAIRS	77
Maintenance Schedule	77
Maintenance Precautions	78
Tool Kit	80
Fuel System	82
Lubrication	96
Drive chain	100
Engine	104
Electrical System	108
Brakes	111
Wheels and Tires	122
Seat Removal	127
Skid Plate, Guard plate	128
Spark Arrester	130
TRANSPORTING YOUR FOURTRAX	132
STORING YOUR FOURTRAX	134
SPECIFICATIONS	137
WIRING DIAGRAM	138
WARRANTY SERVICE	139
SERIAL NUMBERS	141
INDEX	142

FOURTRAX SAFETY

SPECIAL SAFETY MESSAGES

AN ATV IS NOT A TOY AND CAN BE HAZARDOUS TO OPERATE.

An ATV handles differently from other vehicles including motorcycles and cars. A collision or rollover can occur quickly, even during routine maneuvers such as turning and driving on hills or over obstacles, if you fail to take proper precautions.

SEVERE INJURY OR DEATH can result if you do not follow these instructions:

- * Read this manual and all labels carefully and follow the operating procedures described.
- * Never operate an ATV without proper instruction. Take a training course. Beginners should receive training from a certified instructor. Contact an authorized ATV dealer or call 1-800-447-4700 to find out about the training courses nearest you.
- * Always follow this age recommendation: A child under 16 years old should never operate an ATV with engine size greater than 90 cc.
- * Never allow a child under age 16 to operate an ATV without adult supervision, and never allow continued use of an ATV by a child if he or she does not have the abilities to operate it safely.

- * Never carry a passenger on an ATV.
- * Never operate an ATV on any paved surfaces, including sidewalks, driveways, parking lots and streets.
- * Never operate an ATV on any public street, road or highway, even a dirt or gravel one.
- * Never operate an ATV without wearing an approved motorcycle helmet that fits properly. You should also wear eye protection (goggles or face shield), gloves, boots, long-sleeved shirt or jacket, and long pants.
- * Never consume alcohol or drugs before or while operating this ATV.
- * Never operate at excessive speeds. Always go at a speed that is proper for the terrain, visibility, and operating conditions, and your experience.
- * Never attempt wheelies, jumps, or other stunts.
- * Always inspect your ATV each time you use it to make sure it is in safe operating condition. Always follow the inspection and maintenance procedures and schedules described in this manual.
- * Always keep both hands on the handlebars and both feet on the footpegs of the ATV during operation.

- * Always go slowly and be extra careful when operating on unfamiliar terrain. Always be alert to changing terrain conditions when operating the ATV.
- * Never operate on excessively rough, slippery or loose terrain until you have learned and practiced the skills necessary to control the ATV on such terrain. Always be especially cautious on these kinds of terrain.
- * Always follow proper procedures for turning as described in this manual. Practice turning at low speeds before attempting to turn at faster speeds. Do not turn at excessive speed.
- * Never operate the ATV on hills too steep for the ATV or for your abilities. Practice on smaller hills before attempting larger hills.
- * Always follow proper procedures for climbing hills as described in this manual. Check the terrain carefully before you start up any hill. Never climb hills with excessively slippery or loose surfaces. Shift your weight forward. Never open the throttle suddenly or make sudden gear changes. Never go over the top of any hill at high speed.
- * Always follow proper procedures for going down hills and for braking on hills as described in this manual. Check the terrain carefully before you start down any hill. Shift your weight backward. Never go down a hill at high speed. Avoid going down a hill at an angle that would cause the vehicle to lean sharply to one side. Go straight down the hill where possible.

- * Always follow proper procedures for crossing the side of a hill as described in this manual. Avoid hills with excessively slippery or loose surfaces. Shift your weight to the uphill side of the ATV. Never attempt to turn the ATV around on any hill until you have mastered the turning technique described in this manual on level ground. Avoid crossing the side of a steep hill if possible.
- * Always use proper procedures if you stall or roll backwards when climbing a hill. To avoid stalling, use the proper gear and maintain a steady speed when climbing a hill. If you stall or roll backwards, follow the special procedure for braking described in this manual. Dismount and follow the procedures provided in this manual.
- * Always check for obstacles before operating in a new area. Never attempt to operate over large obstacles, such as large rocks or fallen trees. Always follow proper procedures when operating over obstacles as described in this manual.
- * Always be careful when skidding or sliding. Learn to safely control skidding or sliding by practicing at low speeds and on level, smooth terrain. On extremely slippery surfaces, such as ice, go slowly and be very cautious in order to reduce the chance of skidding out of control.

- * Never operate an ATV in fast flowing water or in water deeper than that specified in this manual. Remember that wet brakes may have reduced stopping ability. Test your brakes after leaving water. If necessary, apply them several times to let friction dry out the linings.
- * Always be sure there are no obstacles or people behind you when you operate in reverse. When it is safe to proceed in reverse, go slowly.
- * Always use the size and type tires specified in this manual. Always maintain proper tire pressure as described in this manual.
- * Never modify an ATV through improper installation or use of accessories.
- * Never exceed the stated load limits for an ATV. Cargo should be properly distributed and securely attached. Reduce speed and follow instructions in this manual for carrying cargo. Allow greater distance for braking.

FOR MORE INFORMATION ABOUT ATV SAFETY, call the Consumer Product Safety Commission at 1-800-638-2772, or the ATV Distributors' Safety Hotline at 1-800-852-5344.

WARNING INFORMATION

Your FOURTRAX comes with a hang tag and several labels containing important safety information. Anyone who rides the vehicle should read and understand this information before riding.

The labels should be considered as permanent parts of the vehicle. If a label comes off or becomes hard to read, contact your Honda dealer for replacements.

⚠ WARNING

THIS VEHICLE CAN BE HAZARDOUS TO OPERATE. A collision or rollover can occur quickly, even during routine maneuvers such as turning and driving on hills or over obstacles, if you fail to take proper precautions.

SEVERE INJURY OR DEATH can result if you do not follow these instructions.

- **BEFORE YOU OPERATE THIS ATV, READ THE OWNER'S MANUAL AND ALL LABELS.**
- **NEVER OPERATE THIS ATV WITHOUT PROPER INSTRUCTION.** Beginners should complete a certified training course.
- **NEVER CARRY A PASSENGER.** You increase your risk of losing control if you carry a passenger.
- **NEVER OPERATE THIS ATV ON PAVED SURFACES.** You increase your risk of losing control if you operate this ATV on pavement.
- **NEVER OPERATE THIS ATV ON PUBLIC ROADS.** You can collide with another vehicle if you operate this ATV on a public road.
- **ALWAYS WEAR AN APPROVED MOTORCYCLE HELMET,** eye protection, and protective clothing.
- **NEVER CONSUME ALCOHOL OR DRUGS** before or while operating this ATV.
- **NEVER OPERATE THIS ATV AT EXCESSIVE SPEEDS.** You increase your risk of losing control if you operate this ATV at speeds too fast for the terrain, visibility conditions, or your experience.
- **NEVER ATTEMPT WHEELIES, JUMPS, OR OTHER STUNTS.**

G GENERAL USE MODEL

**THIS ATV IS FOR
GENERAL RECREATIONAL AND
UTILITY USE**

OPERATOR ONLY-NO PASSENGERS

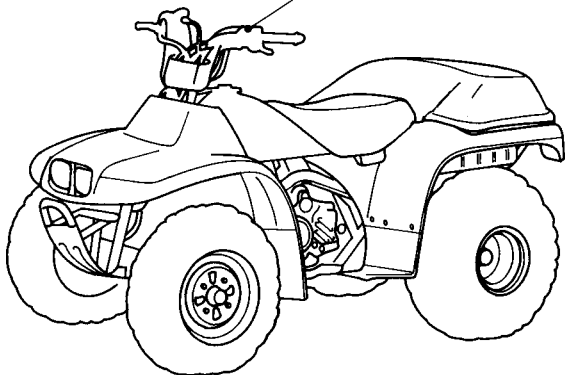
NO OPERATOR UNDER AGE 16

THIS CATEGORY G (GENERAL USE) ATV IS FOR OFF ROAD USE ONLY, FOR RECREATION AND UTILITY PURPOSES.

TRAINING COURSES TO TEACH ATV RIDING SKILLS ARE AVAILABLE. FOR INFORMATION CONTACT YOUR DEALER.

CHECK WITH YOUR DEALER TO FIND OUT ABOUT STATE OR LOCAL LAWS REGARDING ATV OPERATION.

THIS HANGTAG IS NOT TO BE REMOVED BEFORE SALE



⚠ WARNING

Riding as a passenger can cause the ATV to go out of control.

Loss of control can cause a collision or rollover, which can result in severe injury or death.

NEVER ride as a passenger.

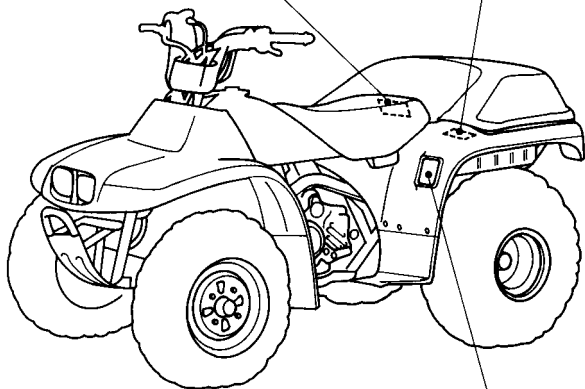
HC4-670

⚠ WARNING

Overloading the storage area can cause loss of control and may result in severe injury or death.

- Read owner's manual
- Balance load
- Weight limit; **66 lbs (30kg)**

HF1-670



⚠ WARNING

Improper tire pressure or overloading can cause loss of control.

Loss of control can result in severe injury or death.

- Cold tire pressure:
 - Front : **2.9±0.4 psi 0.20±0.03 kg/cm²**
 - Rear : **2.9±0.4 psi 0.20±0.03 kg/cm²**
- Maximum weight capacity; **315lbs. (142kg)**

HF1-670

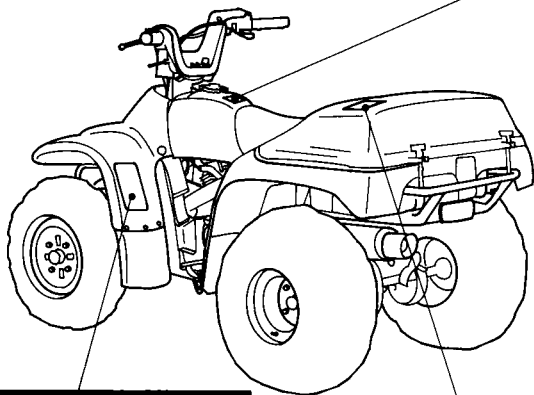
⚠ WARNING



Operating this ATV if you are under the age of **16** increases your chance of severe injury or death.

NEVER operate this ATV if you are under age **16**.

HC1-470



⚠ WARNING

THIS VEHICLE CAN BE HAZARDOUS TO OPERATE.

A collision or rollover can occur quickly, even during routine maneuvers such as turning and driving on hills or over obstacles, if you fail to take proper precautions.

SEVERE INJURY OR DEATH can result if you do not follow these instructions:

- **BEFORE YOU OPERATE THIS ATV, READ THE OWNER'S MANUAL AND ALL LABELS.**
- **NEVER OPERATE THIS ATV WITHOUT PROPER INSTRUCTION.** Beginners should complete a certified training course.
- **NEVER CARRY A PASSENGER.** You increase your risk of losing control if you carry a passenger.
- **NEVER OPERATE THIS ATV ON PAVED SURFACES.** You increase your risk of losing control if you operate this ATV on pavement.
- **NEVER OPERATE THIS ATV ON PUBLIC ROADS.** You can collide with another vehicle if you operate this ATV on a public road.
- **ALWAYS WEAR AN APPROVED MOTORCYCLE HELMET,** eye protection, and protective clothing.
- **NEVER CONSUME ALCOHOL OR DRUGS** before or while operating this ATV.
- **NEVER OPERATE THIS ATV AT EXCESSIVE SPEEDS.** You increase your risk of losing control if you operate this ATV at speeds too fast for the terrain, visibility conditions, or your experience.
- **NEVER ATTEMPT WHEELIES, JUMPS, OR OTHER STUNTS.**

⚠ WARNING

Riding as a passenger can cause the ATV to go out of control.

Loss of control can cause a collision or rollover, which can result in severe injury or death.

NEVER ride as a passenger.

HC4-670

PARTS LOCATION AND OPERATION

PARTS LOCATION

- (1) Rear brake lever
Parking brake
- (2) Reverse selector knob
- (3) Headlight switches
Engine stop switch
Starter button
Headlight dimmer switch
- (4) Choke knob
- (5) Reverse indicator lamp
Neutral indicator lamp
- (6) Front brake lever
- (7) Ignition switch

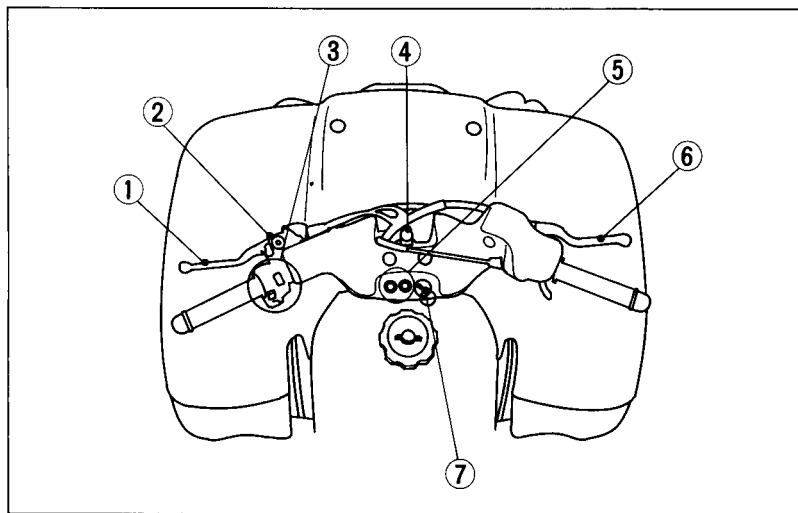


Fig. 2-1

Handlebars, from rider's point of view

- (8) Fuel tank cap
- (9) Headlights
- (10) Rear brake pedal
- (11) Oil filler cap/dipstick
- (12) Fuel valve

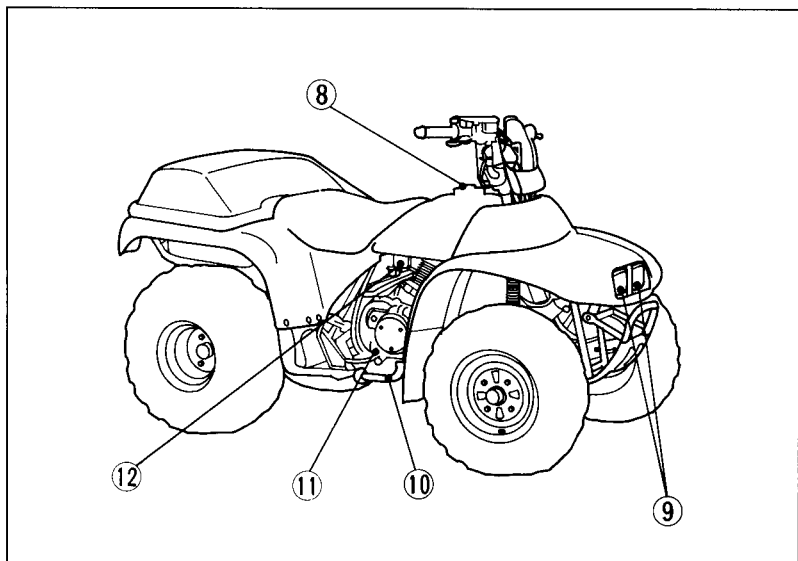


Fig. 2-2

Right side of FOURTRAX

- (13) Throttle lever
- (14) Air pressure gauge (under seat)
Tool kit
Owner's manual
- (15) Rear trunk
- (16) Neutral indicator
- (17) Gearshift pedal
- (18) Helmet holder

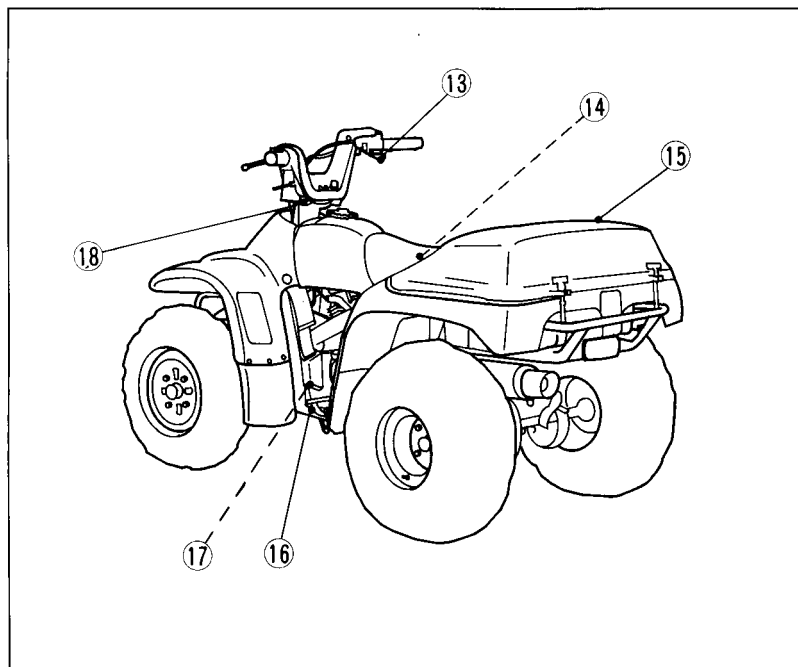


Fig. 2-3

Left side of FOURTRAX

PARTS OPERATION

POWER CONTROLS

Ignition Switch

The ignition switch (Fig. 2-4) is in the center of the handlebars directly in front of the seat.

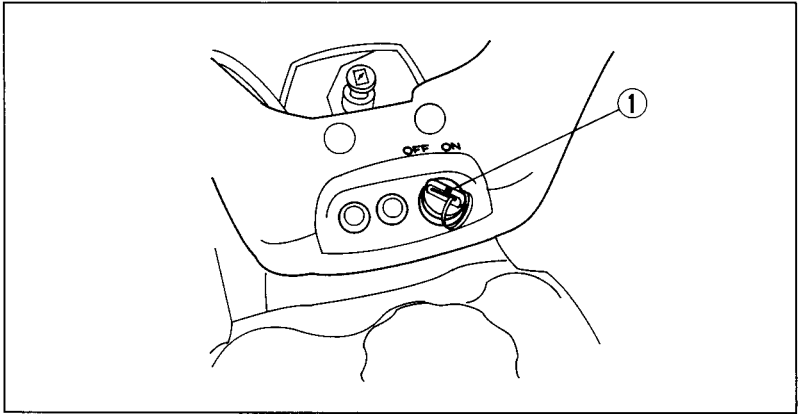


Fig. 2-4

(1) Ignition switch

Key Position	Function	Key Removal
OFF	The engine and headlights cannot be operated.	The key can be removed.
ON	The headlights can be turned on. With the engine stop switch at RUN and the transmission in neutral, the engine can be started.	The key cannot be removed.

Engine Stop Switch

The engine stop switch (Fig. 2-5) is next to the left handgrip, and it has three positions. When the switch is in the RUN position, the engine will operate. When the switch is in either OFF position, the engine will not operate.

This switch is intended primarily as a safety or emergency control, and it should normally remain in the RUN position.

NOTE:

If you stop your FOURTRAX by turning the engine stop switch OFF, be sure to turn the ignition switch OFF to prevent battery discharge.

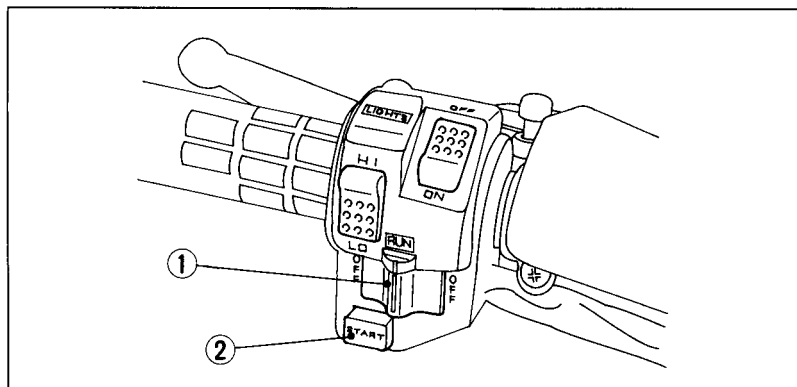


Fig. 2-5

(1) Engine stop switch

(2) Starter button

Choke Knob

The choke knob (Fig. 2-6) is located above the ignition switch. The choke has three positions: full choke (A), half choke (B), and off (C).

Pulling the choke knob up (on) allows the carburetor to deliver a rich fuel mixture for starting the engine when cold. Lower the choke knob to the off position as the engine attains normal operating temperature.

To restart a warm engine, it is not necessary to use the choke.

CAUTION:

Extended use of the choke may impair piston and cylinder wall lubrication and shorten the life of the engine.

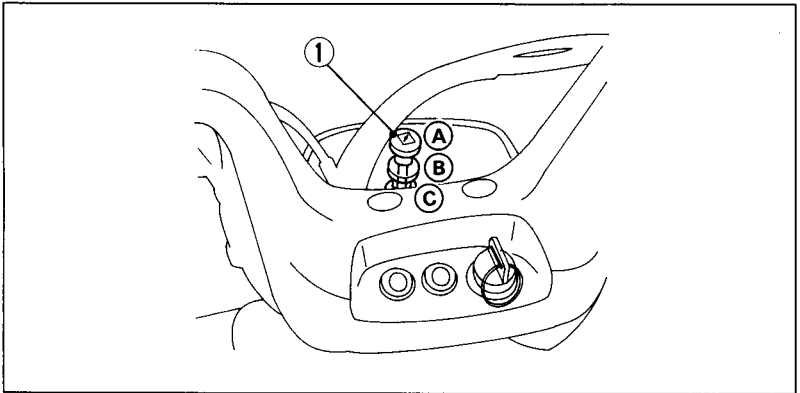


Fig. 2-6
(1) Choke knob

- (A) Full on position
- (B) Half on position
- (C) Off position

Starter Button

The starter button (Fig. 2-7) is below the engine stop switch. To start the engine, press the starter button (1), with the transmission in neutral, the ignition switch ON and the engine stop switch (2) at RUN.

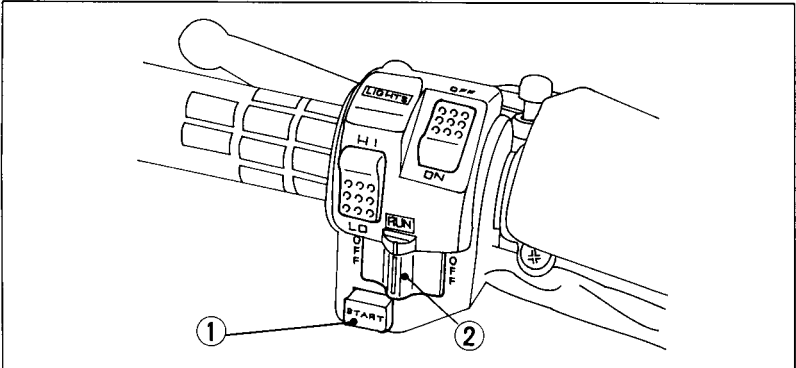


Fig. 2-7

(1) Starter button

(2) Engine stop switch

Throttle Lever

The throttle lever (Fig. 2-8) is next to the right handgrip, and it is operated by the thumb. Pressing the lever opens the throttle. When pressure is released, spring tension automatically closes the throttle.

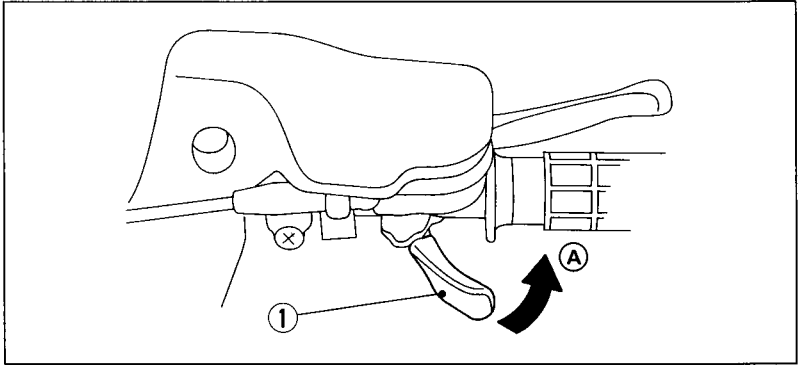


Fig. 2-8

(1) Throttle lever
(A) To open the throttle

LIGHTS

Headlight and Dimmer Switches

The headlight and dimmer switches (Fig. 2-9) are above the engine stop switch, next to the left handgrip.

Turning the headlight switch (1) ON turns the headlights on. Use the dimmer switch (2) to select either high beam (HI) or low beam (LO).

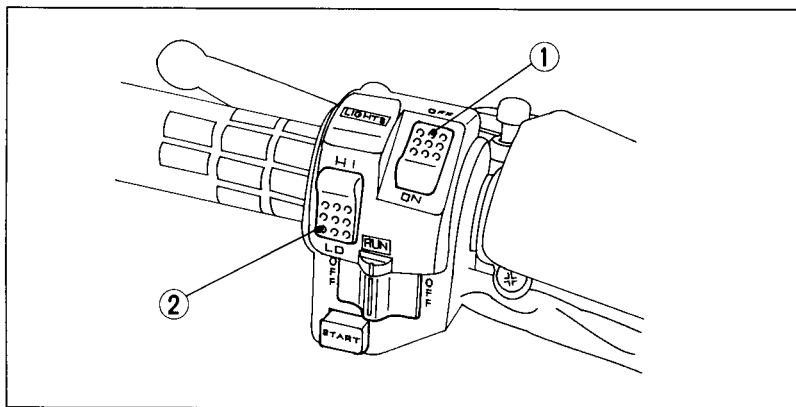


Fig. 2-9

(1) Headlight switch

(2) Dimmer switch

Reverse and Neutral Indicator Lamps and Neutral Indicator

The reverse indicator lamp (1) and the neutral indicator lamp (2) (Fig. 2-10) are next to the ignition switch. These lamps allow the rider to verify that the transmission is in reverse or in neutral.

The reverse indicator lights when the transmission is in reverse and the ignition switch is ON.

The neutral indicator lamp lights when the transmission is in neutral and the ignition switch is ON.

The neutral indicator (3) is on the left crankcase cover. The indicator rotates as the gears are changed. The indicator aligns with the N mark on the crankcase when the transmission is in neutral.

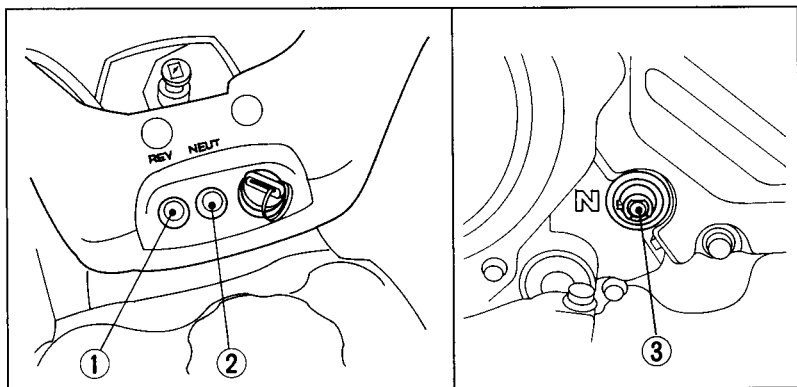


Fig. 2-10

- (1) Reverse indicator lamp
- (2) Neutral indicator lamp
- (3) Neutral indicator

GEARSHIFT CONTROLS

Gearshift Pedal

The gearshift pedal is near the left footpeg. One full stroke of the pedal shifts the transmission to the next higher or lower gear in the shifting sequence (Fig. 2-11). The pedal automatically returns to the horizontal position when released.

Your FOURTRAX has four forward gears (1, 2, 3 and 4). To upshift to a higher gear, put the toe of your boot under the gearshift pedal and raise the pedal one full stroke. To downshift, step on the gearshift pedal and depress the pedal one full stroke. (For further operational instructions, see pages 57–58.)

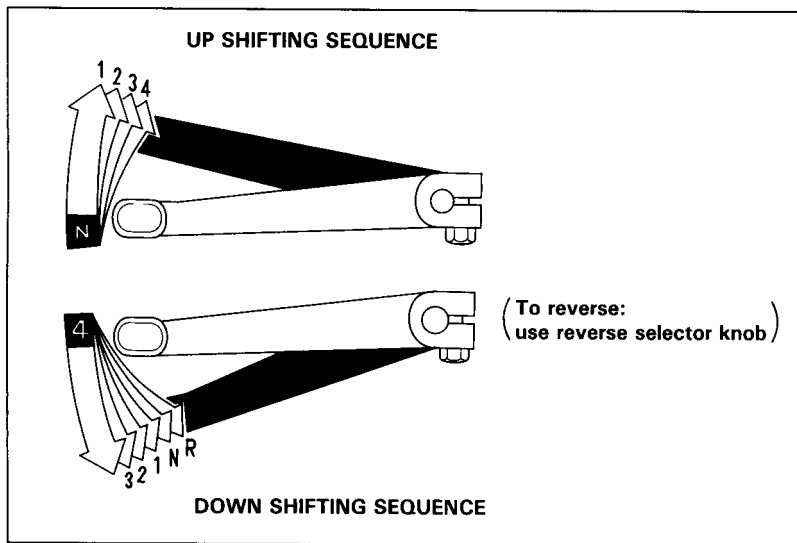


Fig. 2-11

Gearshifting sequence

Reverse Selector Knob

The reverse selector knob (Fig. 2-12) is on the rear brake lever.

To shift into reverse, first bring the FOURTRAX to a complete stop and make sure the transmission is in neutral. While pushing the reverse selector knob (1) in, squeeze the rear brake lever (2), then depress the gearshift pedal.

CAUTION:

Bring the FOURTRAX to a complete stop before shifting the transmission into reverse. If the transmission is shifted into reverse while the vehicle is moving, the transmission will be damaged.

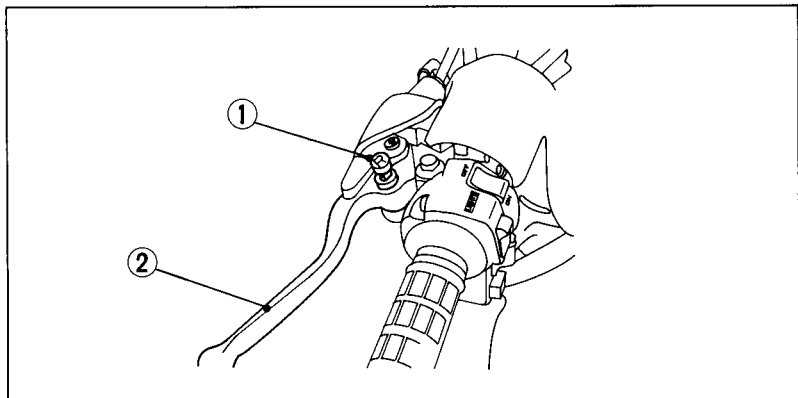


Fig. 2-12

(1) Reverse selector knob

(2) Rear brake lever

BRAKE CONTROLS

Front Brakes

The front brakes are operated by squeezing the front brake lever, near the right handgrip.

Rear Brake

The rear brake is operated either by depressing the brake pedal or by squeezing the rear brake lever (Fig. 2-13).

Parking Brake

The rear brake lever has a lock which allows it to be used as a parking brake.

To set the parking brake, squeeze the rear brake lever (1) and lock it with the lock lever (2). Always set the parking brake when parking and before starting the engine. To unlock the parking brake, squeeze the rear brake lever until the lock lever releases.

NOTE:

Using the parking brake in freezing weather may cause the brakes to freeze in the locked position.

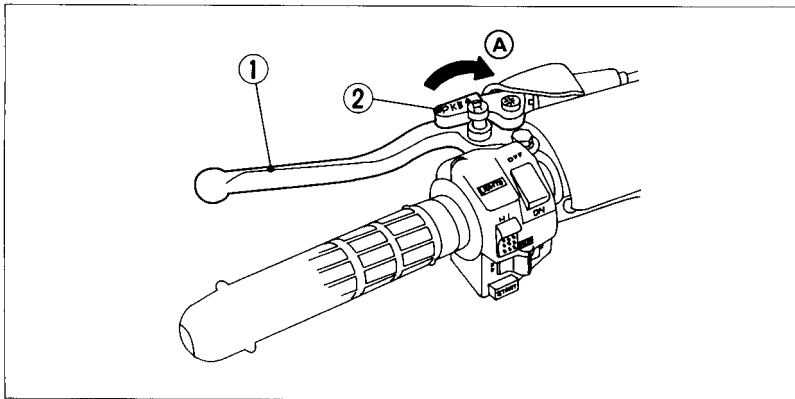


Fig. 2-13 (1) Rear brake lever/Parking brake (2) Lock lever (A) To lock

FUEL TANK CONTROLS

Fuel Tank Cap

The fuel tank cap (Fig. 2-14) has a fuel cap vent lever (2) with ON and OFF positions. The lever should be turned to ON to allow fuel to flow when running the engine. Turn the vent lever to OFF to prevent fuel from flowing out the vent hole when transporting the FOURTRAX.

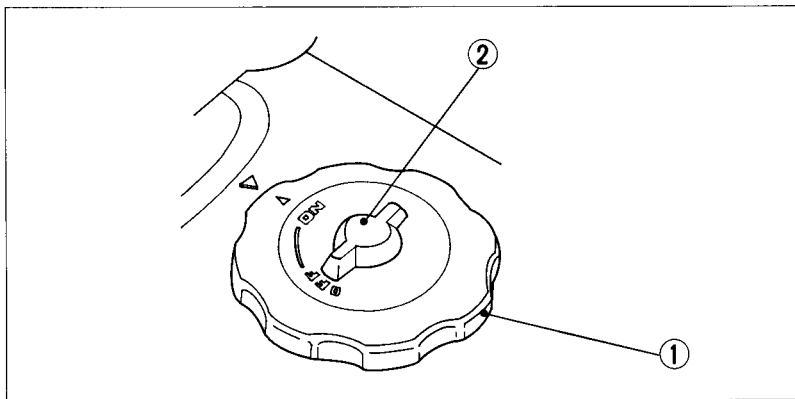


Fig. 2-14

(1) Fuel tank cap

(2) Fuel cap vent lever

Fuel Valve

The fuel valve (Fig. 2-15) is on the right side of the fuel tank, and it has three positions:

OFF

When the fuel valve is in the OFF position, fuel cannot flow to the carburetor. Turn the valve OFF whenever the FOURTRAX is not in use.

ON

When the fuel valve is in the ON position, fuel will flow from the main fuel supply to the carburetor.

RES

When the fuel valve is in the RES position, fuel will flow from the reserve fuel supply to the carburetor. Use the reserve fuel only when the main supply is gone.

Refill the tank as soon as possible after switching to RES. The reserve fuel supply is 0.6 gal (2.3 l).

NOTE:

After refueling, do not operate the FOURTRAX with the fuel valve in the RES position. If you run out of fuel, there will be no reserve supply.

For gasoline recommendations and refueling instructions, see pages 82–85.

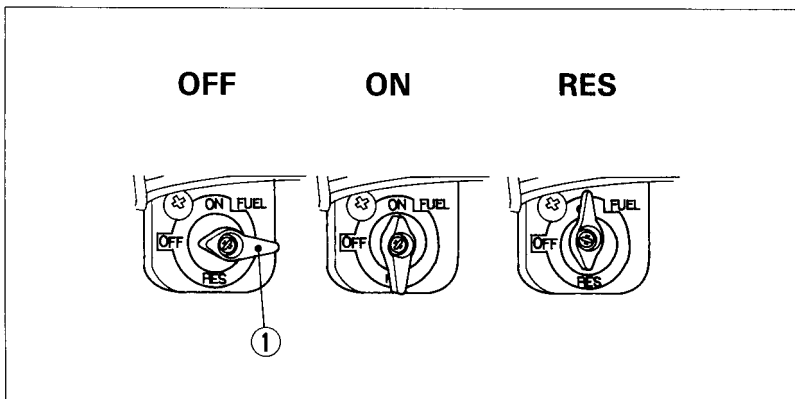


Fig. 2-15

(1) Fuel valve

ENGINE OIL

Oil Filler Cap/Dipstick

The oil filler cap/dipstick (Fig. 2-16), on the right crankcase cover, is used to measure the oil level. The oil should be checked each day before operating the FOURTRAX and maintained between the upper level mark (2) and the lower level mark (3).

For oil recommendations and instructions on checking, adding and changing oil, see pages 96–99.

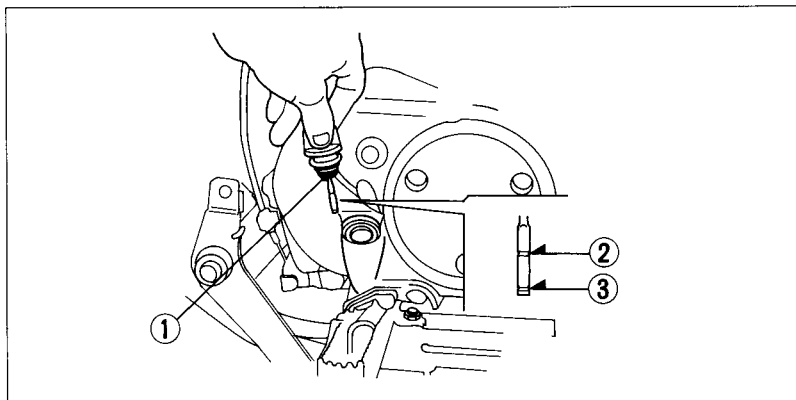


Fig. 2-16

(1) Oil filler cap/dipstick

(2) Upper level mark

(3) Lower level mark

While reading this manual, remember:

▲ WARNING Indicates a strong possibility that serious injury or death may result if instructions are not followed.

ADDITIONAL FEATURES

Helmet Holder

The helmet holder (Fig. 2-17) is a bracket near the left side of the handlebar cover (1). To use the holder, hang the D-ring on your helmet strap over the bracket. Use the helmet holder only when the FOURTRAX is parked.

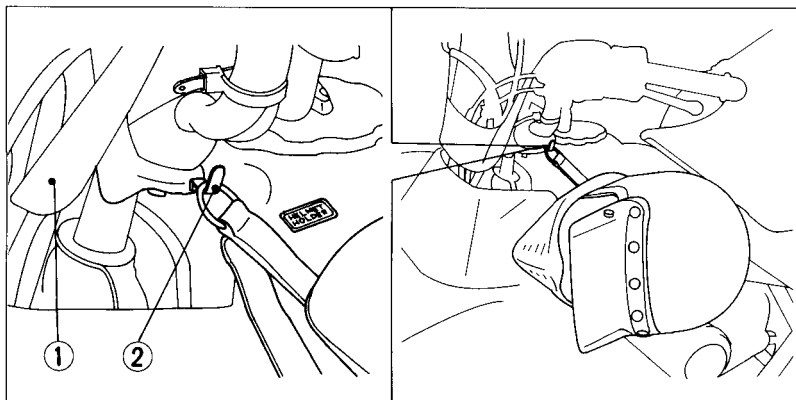


Fig. 2-17

- (1) Handlebar cover
- (2) Helmet holder

▲ WARNING

POTENTIAL HAZARD

Operating this ATV with a helmet attached to the helmet holder.

WHAT CAN HAPPEN

Can impair your ability to steer the vehicle.

HOW TO AVOID THE HAZARD

Never ride this ATV with a helmet attached to the helmet holder. Use the helmet holder only while the ATV is parked.

Flag Pole Bracket

The flag pole bracket (Fig. 2-18) is on the rear cargo rack. Flag poles are optional equipment available from your Honda dealer. To mount a pole in the bracket, follow the instructions that come with the flag pole kit.

NOTE:

Flag poles are required in some riding areas. Check local regulations before riding.

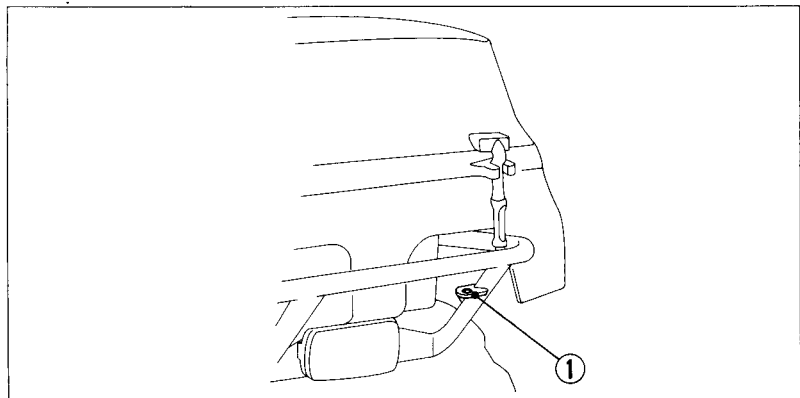


Fig. 2-18 (1) Flag pole bracket

Rear Trunk

To open:

Pull the rubber retainers up to release the hooks.

See page 35, Loading.

To close:

Close the lid and secure the rubber retainers.

CAUTION:

- * Pulling the rubber retainer too hard can damage or break the retainer.
- * Loose cargo can damage the trunk or the cargo. After placing the cargo in the trunk, be sure to secure it with a net or tie down.
- * The trunk room may be heated at high temperature due to exhaust gases, etc. Do not store articles which are susceptible to heat.

Always balance the cargo load before riding. Refer to loading, pages 35, 37.

Weight limit: 66 lbs. (30 kg)

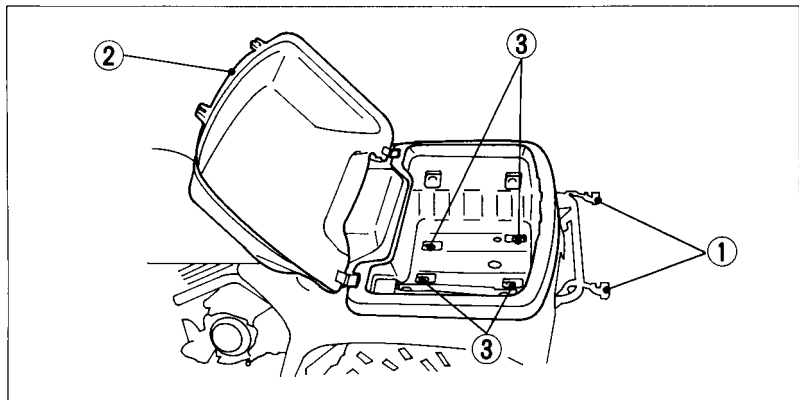


Fig. 2-19

(1) Rubber retainers

(2) Trunk lid

(3) Hook

Storage Compartment

The storage compartment (Fig. 2-20) is behind the seat (2). To open the compartment, remove the seat by lifting up the seat lock lever (1), then press down on the lock tab (6) on the cover. The Owner's Manual (4) and air pressure gauge (5) should be stored in the storage compartment.

The tool kit (7) is secured to the frame with a band on the side of the battery.

NOTE:

The air pressure gauge should be placed in the recess in the storage compartment.

Be careful not to flood this area when washing your FOURTRAX.

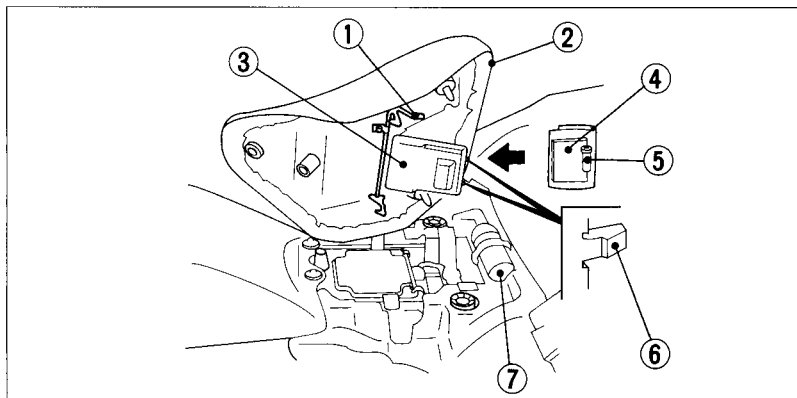


Fig. 2-20

(1) Seat lock lever

(2) Seat

(3) Storage compartment

(4) Owner's manual

(5) Air pressure gauge

(6) Lock tab

(7) Tool kit

RIDING YOUR FOURTRAX

This part of the Owner's Manual discusses how to ride your FOURTRAX safely. Please review the special safety messages on pages 1–5. While reading this manual, remember:

▲WARNING Indicates a strong possibility that serious injury or death may result if instructions are not followed.

BEFORE RIDING

You need to be prepared before riding. This includes getting proper instruction, making sure your FOURTRAX is in good operating condition, and learning some basic safe-riding rules.

RIDER PREPARATION

Age Recommendation

The minimum recommended age for this FOURTRAX model is 16. For safety, never let children under 16 years old operate this vehicle.

▲ WARNING

POTENTIAL HAZARD

Failure to follow the age recommendation for this ATV.

WHAT CAN HAPPEN

If children use ATVs that are not recommended for their age, severe injury or death can result.

Even though a child may be within the age group for which an ATV is recommended, he or she may not have the skills, abilities, or judgment needed to operate the ATV safely and may be involved in a serious accident.

HOW TO AVOID THE HAZARD

A child under 16 should never operate an ATV with engine size greater than 90 cc.

Rider Training

Beginning and inexperienced riders should get proper instruction on how to operate this FOURTRAX safely. A hands-on rider training course is available in your area. For information, contact your Honda dealer.

▲ WARNING

POTENTIAL HAZARD

Operating this ATV without proper instruction.

WHAT CAN HAPPEN

The risk of an accident is greatly increased if the operator does not know how to operate the ATV properly in different situations and on different types of terrain.

HOW TO AVOID THE HAZARD

Beginning and inexperienced operators should complete the certified training course offered by Honda. They should then regularly practice the skills learned in the course and the operating techniques described in this Owner's Manual.

For more information about the training course, contact an authorized Honda dealer or call 1-800-447-4700.

VEHICLE PREPARATION

Pre-Ride Inspection

Inspect your FOURTRAX every day before you ride it. Checking the items below will take only a few minutes, and in the long run, they can save time, expense, and possibly your life.

1. **Engine oil level.** Check the oil level and add oil if required (pages 96–99). Check for leaks.

2. **Fuel level.** Fill the fuel tank when necessary (pages 82–85).
Check for leaks.
3. **Brakes.** Check operation. Make sure there is no brake fluid leakage. If necessary, adjust free play (pages 111–121).
4. **Tires.** Check condition and pressure (pages 123–125).
5. **Throttle.** Check for smooth opening and closing in all steering positions.
6. **Headlight and headlight dimmer switches.** Check for proper function (page 18).
7. **Engine stop switch.** Check for proper function (page 14).
8. **Nuts, bolts, fasteners.** Check the wheels to see that the axle nuts are tightened. Check the security of all other nuts, bolts and fasteners.
9. **Steering.** Check that the wheels turn properly as you steer the handlebars.
10. **Rear trunk.** Check that all cargo is properly secured.
11. **Underbody and exhaust system.** Check for, and remove, any dirt, vegetation or other debris that could be a fire hazard or interfere with the proper operation of the vehicle.
12. **Drive chain.** Check condition and slack. If necessary adjust and lubricate (pages 100–103).

▲ WARNING

POTENTIAL HAZARD

**Failure to inspect the ATV before operating.
Failure to properly maintain the ATV.**

WHAT CAN HAPPEN

Increases the possibility of an accident.

HOW TO AVOID THE HAZARD

Always inspect your ATV each time you use it to make sure the ATV is in safe operating condition.

Always follow the inspection and maintenance procedures and schedules described in this Owner's Manual.

Correct any problem before you ride. If you can't correct a problem, contact your Honda dealer for assistance.

If your FOURTRAX has overturned or been involved in a collision, do not ride the vehicle until it has been inspected by an authorized Honda dealer. There may be damage or other problems you cannot see.

Tires

Before riding, make sure your FOURTRAX has the proper tires and that they are in good condition. Also be sure the tires are inflated to the proper air pressure (see page 123).

▲ WARNING

POTENTIAL HAZARD

Operating this ATV with improper tires, or with improper or uneven tire pressure.

WHAT CAN HAPPEN

Use of improper tires on this ATV, or operation of this ATV with improper or uneven tire pressure, may cause loss of control, increasing your risk of an accident.

HOW TO AVOID THE HAZARD

Always use the size and type tires specified in the Owner's Manual for this vehicle.

Always maintain proper tire pressure as described in this Owner's Manual.

Loading

Load Limits

There are limits to how much weight can be carried on your FOURTRAX.

NOTE:

The following weight limits apply to standard equipment only. Modifying your FOURTRAX, using non-standard equipment or riding on terrain that is not flat and smooth could further reduce these limits.

Maximum weight capacity	= 315 lbs (142 kg) maximum
(Combined weight of the rider, all accessories and all cargo)	
Rear trunk weight limit	= 66 lbs (30 kg) maximum

Loading and Operational Guidelines

Carrying cargo will affect how your FOURTRAX handles and greatly reduce its ability in accelerating, braking and making turns and other maneuvers.

Be sure to observe the weight limits and follow these guidelines:

1. Do not place cargo anywhere on the FOURTRAX other than in the rear trunk. Otherwise, operating stability may be adversely affected.
2. Never ride with a passenger.
3. Do not tow another vehicle.
4. Make sure all cargo is secured and the rear trunk lid is closed before riding.

5. Allow extra room for starting, stopping and turning whenever you carry cargo.
6. Avoid riding on steep slopes when carrying cargo.

▲ WARNING

POTENTIAL HAZARD

Overloading this ATV or carrying cargo improperly.

WHAT CAN HAPPEN

Could cause changes in vehicle handling, stability and braking which could lead to an accident.

HOW TO AVOID THE HAZARD

Never exceed the stated load limits for this ATV.

Cargo should be properly distributed and securely attached.

Reduce speed when carrying cargo. Allow greater distance for braking.

Use extra care when operating on hills and riding over obstacles.

Always follow the instructions in this Owner's Manual for carrying cargo.

Accessories

Genuine Honda accessories have been specifically designed for and tested on this vehicle. Because Honda cannot test all other accessories, you are personally responsible for properly selecting, installing, and using non-Honda accessories. Always follow the loading instructions above, plus the following:

1. Carefully inspect the accessory to make sure it does not block any lights, reduce ground clearance, or limit suspension travel, steering travel, or other controls.
2. Make sure the accessory does not interfere with your ability to shift body position on the seat or operate hand and foot controls.
3. Do not add electrical equipment that will exceed the vehicle's electrical system capacity. A blown fuse could cause a loss of lights or engine power.

▲ WARNING

POTENTIAL HAZARD

Operating this ATV with improper modifications.

WHAT CAN HAPPEN

Improper installation of accessories or modification of this vehicle may cause changes in handling which could lead to an accident.

HOW TO AVOID THE HAZARD

Never modify this ATV through improper installation or use of accessories. All parts and accessories added to this vehicle should be genuine Honda or equivalent components designed for use on this ATV and should be installed and used according to instructions. If you have questions, consult an authorized Honda dealer.

While reading this manual, remember:

▲ WARNING

Indicates a strong possibility that serious injury or death may result if instructions are not followed.

No Modifications

Modifying this FOURTRAX or removing original equipment may render the vehicle unsafe or illegal. Spark arresters and mufflers are required in most areas. Don't modify your exhaust system. Remember, excessive noise bothers everyone and creates a bad image for off-road vehicles.

SAFE RIDING RULES

Protective Apparel

Always wear an approved motorcycle helmet when riding your FOURTRAX. You should also always wear goggles or a face shield, gloves, boots, a long-sleeved shirt or jacket, and long pants.

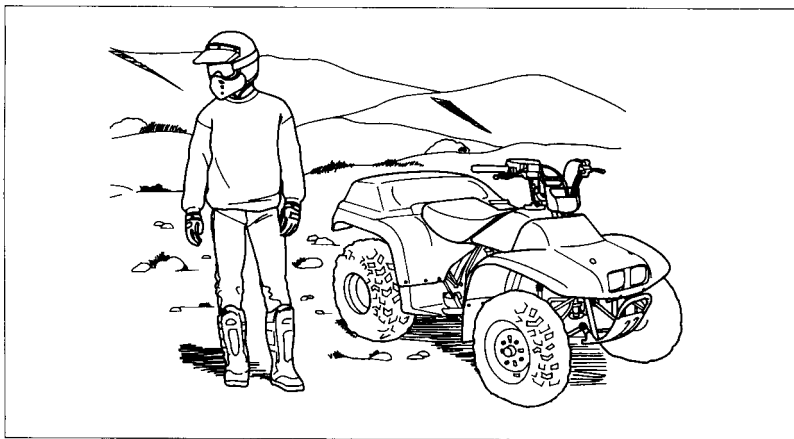


Fig. 3-1

An example of a properly dressed rider.

▲ WARNING

POTENTIAL HAZARD

Operating this ATV without wearing an approved motorcycle helmet, eye protection and protective clothing.

WHAT CAN HAPPEN

Operating without an approved motorcycle helmet increases your chances of a severe head injury or death in the event of an accident.

Operating without eye protection can result in an accident and increases your chances of a severe injury in the event of an accident.

Operating without protective clothing increases your chances of severe injury in the event of an accident.

HOW TO AVOID THE HAZARD

Always wear an approved motorcycle helmet that fits properly.

You should also wear: eye protection (goggles or face shield), gloves, boots, long-sleeved shirt or jacket and long pants.

No Passengers

This FOURTRAX is designed as an operator-only vehicle. The seat is to allow the rider to change body position, not for carrying a passenger. Never let a passenger ride on the seat or on the rear trunk.

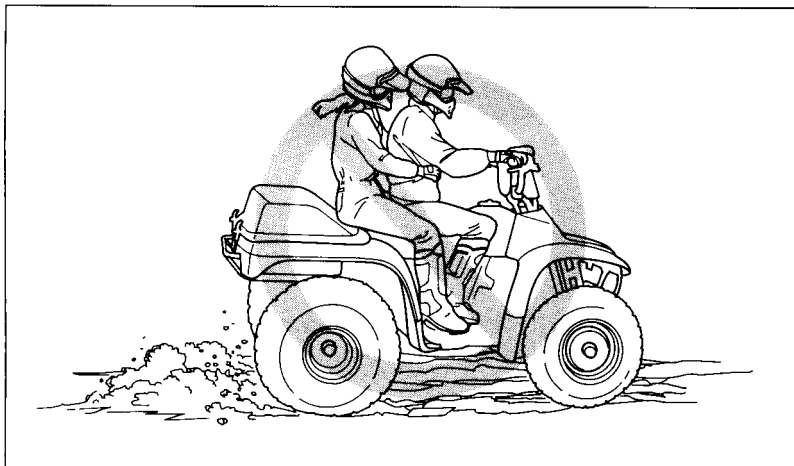


Fig. 3-2

Never carry a passenger on your FOURTRAX.

▲ WARNING

POTENTIAL HAZARD

Carrying a passenger on this ATV.

WHAT CAN HAPPEN

Greatly reduces your ability to balance and control this ATV.

Could cause an accident, resulting in harm to you and/or your passenger.

HOW TO AVOID THE HAZARD

Never carry a passenger. The seat is to allow the operator to shift position as needed during operation. It is not for carrying passengers.

No Alcohol or Drugs

Alcohol, drugs and FOURTRAX's don't mix. Even a small amount of alcohol can impair your ability to operate a FOURTRAX safely. Likewise, drugs—even if prescribed by a physician—can be dangerous while operating a FOURTRAX. Consult your doctor to be sure it is safe to operate a vehicle after taking medication.

▲ WARNING

POTENTIAL HAZARD

Operating this ATV after consuming alcohol or drugs.

WHAT CAN HAPPEN

- Could seriously affect your judgment.**
- Could cause you to react more slowly.**
- Could affect your balance and perception.**
- Could result in an accident.**

HOW TO AVOID THE HAZARD

Never consume alcohol or drugs before or while driving this ATV.

Off-Road Only

Your FOURTRAX is designed and manufactured for off-road use only, not for pavement. Riding on pavement can affect handling and control. You should not ride your FOURTRAX on pavement.

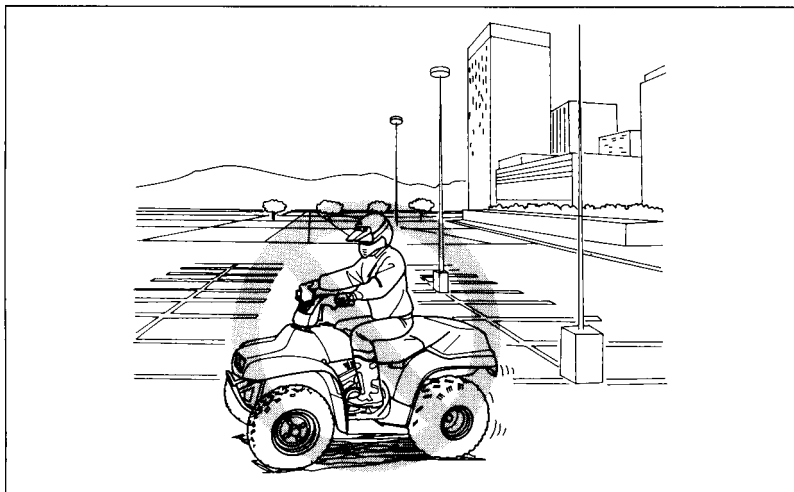


Fig. 3-3

Never ride on paved surfaces.

▲ WARNING

POTENTIAL HAZARD

Operating this ATV on paved surfaces.

WHAT CAN HAPPEN

The ATV and its tires are designed for off-road use only, not for use on pavement. Paved surfaces may seriously affect handling and control of the ATV, and may cause the vehicle to go out of control.

HOW TO AVOID THE HAZARD

Never operate the ATV on any paved surfaces, including sidewalks, driveways, parking lots and streets.

You should never ride your FOURTRAX on public streets, roads or highways, even if they are not paved. Drivers of street vehicles may have difficulty seeing and avoiding you, which could lead to a collision.

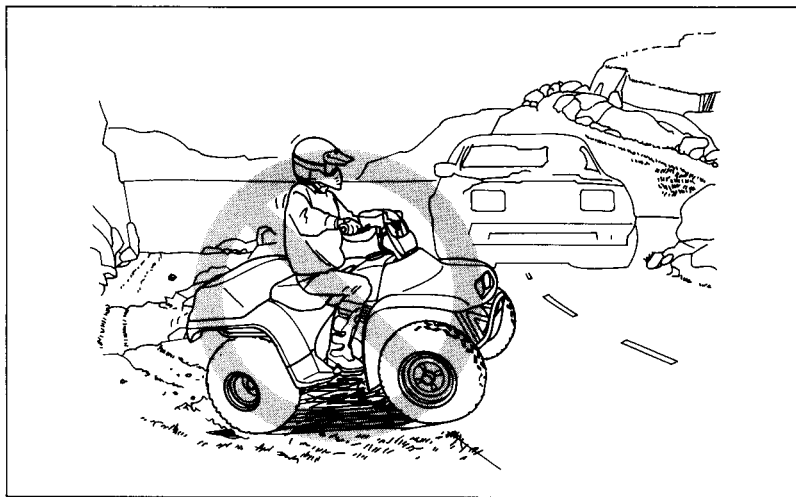


Fig. 3-4

Never ride on public roads or highways.

▲ WARNING

POTENTIAL HAZARD

Operating this ATV on public streets, roads or highways.

WHAT CAN HAPPEN

You can collide with another vehicle.

HOW TO AVOID THE HAZARD

Never operate this ATV on any public street, road or highway, even a dirt or gravel one.

In many states it is illegal to operate ATVs on public streets, roads and highways.

In addition, your FOURTRAX does not conform to Federal Motor Vehicle Safety Standards or US EPA Exhaust Emission regulations. In many states it is illegal to operate this vehicle on public roadways.

When riding off-road, also remember to always obey local off-road riding laws and regulations. Obtain permission to ride on private property. Avoid posted areas and obey "no trespassing" signs.

Keep Hands and Feet on Controls

Always keep both hands on the handlebars and both feet on the footpegs when riding your FOURTRAX. This is important to maintain your balance and to control the vehicle. If you put your feet on the ground while the FOURTRAX is moving, they could come in contact with the rear wheels, causing injury.

▲ WARNING

POTENTIAL HAZARD

Removing hands from handlebars or feet from footpegs during operation.

WHAT CAN HAPPEN

Removing even one hand or foot can reduce your ability to control the ATV or could cause you to lose your balance and fall off of the ATV. If you remove a foot from the footpeg, your foot or leg may come into contact with the rear wheels, which could injure you or cause an accident.

HOW TO AVOID THE HAZARD

Always keep both hands on the handlebars and both feet on the footpegs of your ATV during operation.

Control Speed

Riding at excessive speed increases the chance of an accident. In choosing a proper speed, you need to consider the capability of your vehicle, the terrain, visibility and other operating conditions, plus your own skills and experience.

▲ WARNING

POTENTIAL HAZARD

Operating this ATV at excessive speeds.

WHAT CAN HAPPEN

Increases your chances of losing control of the ATV, which can result in an accident.

HOW TO AVOID THE HAZARD

Always go at a speed that is proper for your vehicle, the terrain, visibility and other operating conditions, and your experience.

No Stunts

When riding, you should keep all four wheels of your FOURTRAX on the ground. Avoid "wheelies," jumps and other stunts, as they could cause loss of control.

▲ WARNING

POTENTIAL HAZARD

Attempting wheelies, jumps, and other stunts.

WHAT CAN HAPPEN

Increases the chance of an accident, including an overturn.

HOW TO AVOID THE HAZARD

Never attempt stunts, such as wheelies or jumps.
Don't try to show off.

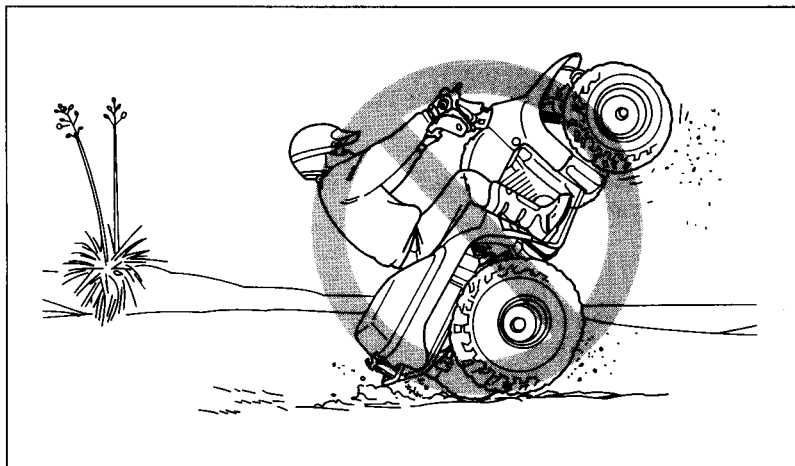


Fig. 3-5

Never attempt wheelies or other stunts.

Use Care on Unfamiliar Terrain

Before riding in a new area, always check the terrain thoroughly. Don't ride fast on unfamiliar terrain or when visibility is limited. (It's sometimes difficult to see obstructions.)

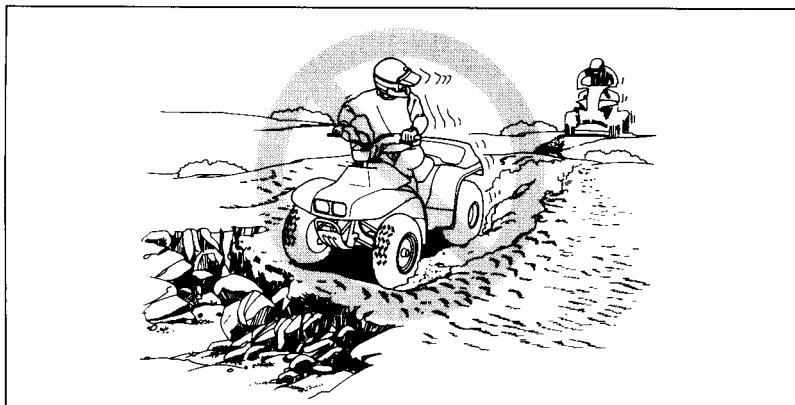


Fig. 3-6

Be alert for changes in the terrain.

▲ WARNING

POTENTIAL HAZARD

Failure to use extra care when operating this ATV on unfamiliar terrain.

WHAT CAN HAPPEN

You can come upon hidden rocks, bumps, or holes without enough time to react.

Could result in the ATV overturning or going out of control.

HOW TO AVOID THE HAZARD

Go slowly and be extra careful when operating on unfamiliar terrain.

Always be alert to changing terrain conditions when operating the ATV.

Never ride past your limit of visibility. Maintain a safe distance between your FOURTRAX and other off-road vehicles. Always exercise caution, and use extra care on rough, slippery and loose terrain.

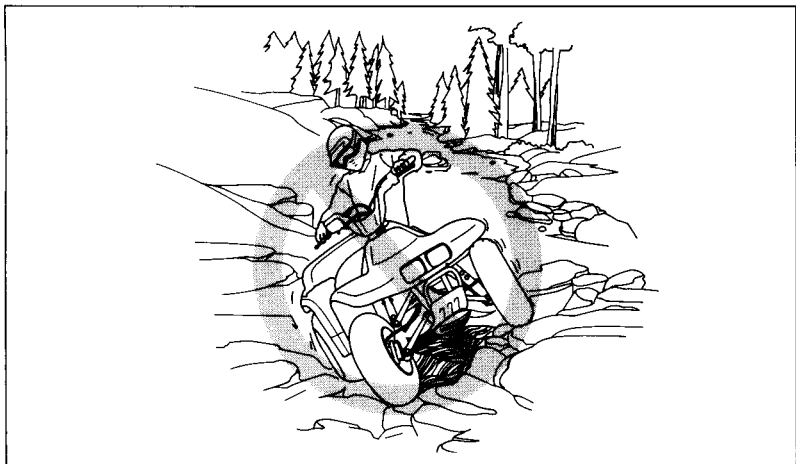


Fig. 3-7

Use extra care on rough terrain.

▲ WARNING

POTENTIAL HAZARD

Failure to use extra care when operating on excessively rough, slippery or loose terrain.

WHAT CAN HAPPEN

Could cause loss of traction or vehicle control, which could result in an accident, including an overturn.

HOW TO AVOID THE HAZARD

Do not operate on excessively rough, slippery or loose terrain until you have learned and practiced the skills necessary to control the ATV on such terrain.

Always be especially cautious on these kinds of terrain.

RIDING

For your initial riding practice, select a safe area free of obstacles with a level surface of dirt or sand. Practice at low speed until you are confident in shifting gears, braking, and making turns.

▲ WARNING

POTENTIAL HAZARD

Running the engine in an enclosed area.

WHAT CAN HAPPEN

Engine exhaust contains carbon monoxide gas that can cause loss of consciousness and may lead to death.

HOW TO AVOID THE HAZARD

Never operate the ATV engine in an enclosed area, such as a garage.

STARTING THE ENGINE

Preparation

1. Select a level surface and lock the parking brake (page 22) before starting the engine.
2. Turn the fuel cap vent lever (1), fuel valve (2) and ignition switch (3) to ON.
3. Make sure the engine stop switch (4) is at RUN.
4. Make sure that the transmission is in neutral by depressing the gearshift pedal and checking that the neutral indicator is at N and that the neutral indicator lamp lights.

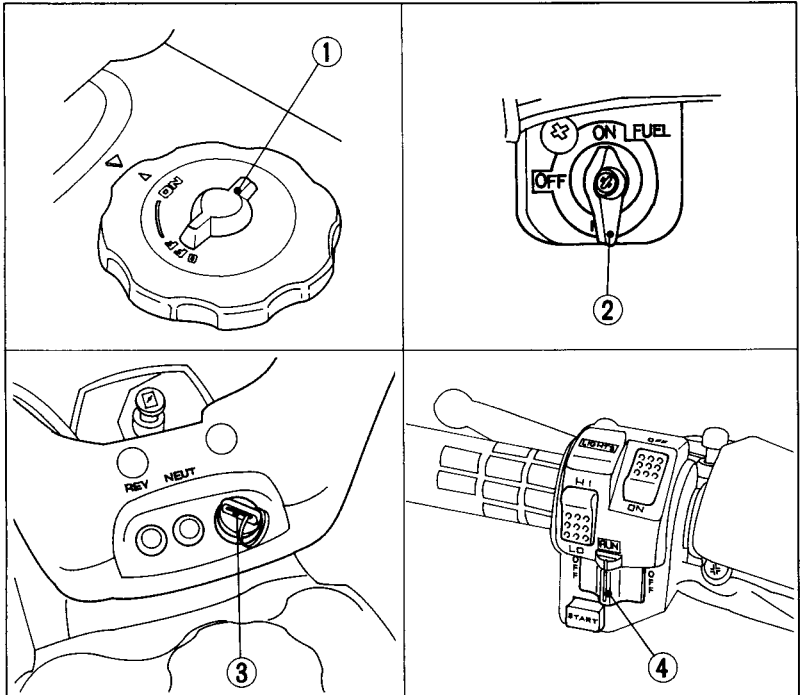


Fig. 3-8

(1) Vent lever
(2) Fuel valve

(3) Ignition switch
(4) Engine stop switch

Starting Procedure (after Preparation)

To restart a warm engine, follow the procedure for High Air Temperature.

Normal Air Temperature

10° – 35°C (50° – 95°F)

1. Raise the choke knob (1) to the Fully Closed position (A).
2. Open the throttle slightly.
3. Press the starter button and start the engine.

CAUTION:

- * Pressing the electric starter button for more than 5 seconds at a time may cause the starter to overheat and damage the starter. Release the starter button for approximately 10 seconds before pressing it again.
- * The starter motor will operate only when the transmission is in neutral.

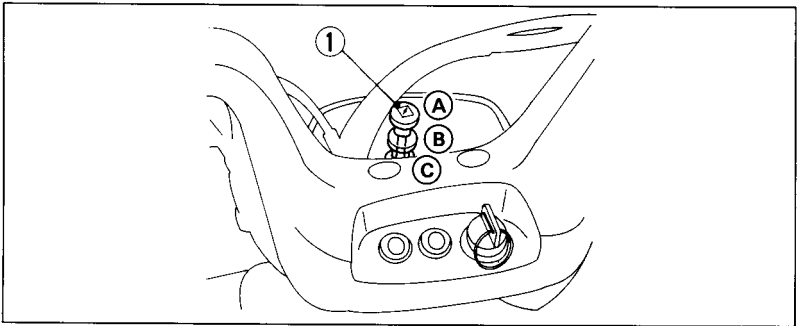


Fig. 3-9

(1) Choke knob

(A) Closed position

(B) Halfway position

(C) Fully open

4. Immediately after the engine starts, release the starter button and push the choke knob to the halfway position (B).
5. About a half minute after the engine starts, push the choke knob down all the way to Fully Open (C).
6. If idling is unstable, open the throttle slightly.

High Air Temperature

35°C (95°F) or above

1. Do not use the choke.
2. Open the throttle slightly.
3. Start the engine by pressing the starter button.

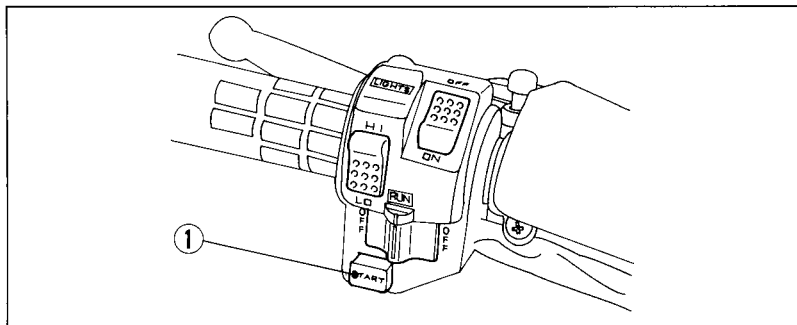


Fig. 3-10

(1) Starter button

Low Air Temperature

10°C (50°F) or below

1. Follow steps 1 – 5 under Normal Air Temperature.
2. Warm up the engine by opening and closing the throttle slightly.
3. Continue warming up the engine until it will idle smoothly with the choke knob pushed down all the way to Fully OFF (C).

CAUTION:

- * Extended use of the choke may impair piston and cylinder wall lubrication, causing shortened engine life.
- * Do not race the engine during the warm-up period.
Racing a cold engine wastes fuel and increases engine wear.

Flooded Engine

If the engine does not start after pushing the starter button several times, it may have become flooded with excess fuel. To clear the engine:

1. Turn the engine stop switch OFF.
2. Move the choke knob to the OFF position.
3. Hold the throttle fully open and briefly press the starter button several times.
4. When the engine is cleared, wait 10 seconds. Then turn the engine stop switch ON and repeat the normal starting procedure, but don't use the choke.

High altitude adjustment

For operation above 3,000 feet (1,000 m), it may be necessary to switch to high altitude carburetor jetting (See page 95).

SHIFTING GEARS

After starting the engine and letting it warm up, follow these procedures:

1. With the transmission in neutral, release the parking brake, but continue squeezing the rear brake lever.
2. With the throttle closed, raise the gearshift pedal one full stroke to shift into 1st (first) gear.
3. Release the rear brake lever and increase engine speed by gradually opening the throttle.
4. When speed increases, release the throttle and shift to 2nd gear by raising the gearshift pedal one full stroke.
5. Repeat this sequence to progressively upshift to 3rd and 4th (top) gear.
6. To downshift, reverse this sequence. Remember to close the throttle each time you shift to the next lower gear.

▲ WARNING

POTENTIAL HAZARD

Shifting gears without releasing the throttle.

WHAT CAN HAPPEN

Could cause loss of control or cause the ATV to overturn.

HOW TO AVOID THE HAZARD

Always release the throttle when shifting gears.

RIDING IN REVERSE

To shift into reverse, first bring the vehicle to a complete stop and make sure the transmission is in neutral. Then follow these procedures:

1. Be sure there are no obstacles or people in the way.
2. While pushing the reverse selector knob in, squeeze the rear brake lever, then depress the gearshift pedal.
3. Release the rear brake lever.
4. Open the throttle gradually and ride slowly. Do not open the throttle suddenly or make abrupt turns.
5. To stop, close the throttle and gradually apply both the front and rear brakes. Do not abruptly apply the rear brake by itself.
6. To shift out of reverse and into neutral, raise the gearshift pedal one stroke.

While reading this manual, remember:

▲WARNING Indicates a strong possibility that serious injury or death may result if instructions are not followed.

▲ WARNING

POTENTIAL HAZARD

Improperly operating in reverse.

WHAT CAN HAPPEN

You could hit an obstacle or person behind you, resulting in serious injury.

HOW TO AVOID THE HAZARD

When you select reverse gear, make sure there are no obstacles or people behind you. When it is safe to proceed, go slowly.

▲ WARNING

POTENTIAL HAZARD

Applying only the rear brake abruptly when operating in reverse gear.

WHAT CAN HAPPEN

The front wheels could lift off the ground and the ATV could overturn backwards.

HOW TO AVOID THE HAZARD

Carefully apply both the front and rear brakes when stopping in reverse gear.

MAKING TURNS

To make a turn on level ground, steer the handlebars and lean your body toward the inside of the turn. (Fig 3-11) Leaning helps balance the vehicle, and it feels more comfortable. Leaning into a turn is an important technique to master in riding a FOURTRAX.

To make a sharp turn at low speed, it helps to shift your body slightly forward on the seat (Fig 3-11), and lean inside, as you steer the handlebars. Shifting weight forward allows the rear wheels to turn easier, and it also improves front-wheel steering. Remember to shift your body forward to make sharp low-speed turns and whenever you turn while accelerating from a full stop.

Apply the throttle slowly and gradually when you turn and start up at the same time. During other turns, use the throttle to maintain the desired speed throughout the turn. Practice these techniques on level ground until you are confident in making turns.

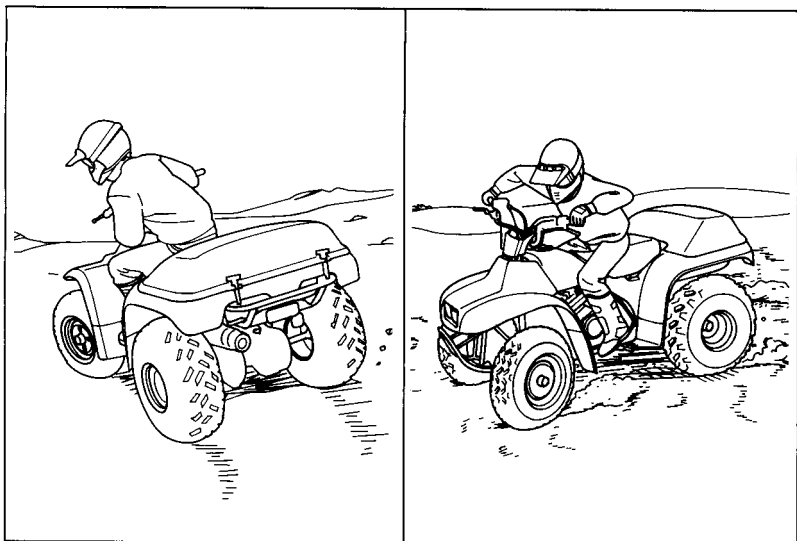


Fig. 3-11 Lean your body to the inside of a turn and forward.

▲ WARNING

POTENTIAL HAZARD

Turning improperly.

WHAT CAN HAPPEN

The ATV can go out of control, causing a collision or overturn.

HOW TO AVOID THE HAZARD

Always follow proper procedures for turning as described in this Owner's Manual.

Practice turning at low speeds before attempting to turn at faster speeds.

Do not turn at excessive speeds.

The terrain surface can be a major factor affecting turns. Skidding during a turn is more likely to occur on slippery surfaces, such as snow, ice, mud and loose gravel. If you skid on ice, you may lose all directional control. To avoid skidding on slippery terrain, keep your speed low and ride with caution.

If your FOURTRAX skids sideways during a turn, steer in the direction of the skid. Avoid hard braking or accelerating until you have regained directional control.

▲ WARNING

POTENTIAL HAZARD

Skidding or sliding improperly.

WHAT CAN HAPPEN

You may lose control of this ATV.

You may also regain traction unexpectedly, which may cause the ATV to overturn.

HOW TO AVOID THE HAZARD

Learn to safely control skidding by practicing at low speeds and on level, smooth terrain.

On extremely slippery surfaces, such as ice, go slowly and be very cautious in order to reduce the chance of skidding or sliding out of control.

RIDING UP HILLS

The FOURTRAX's ability to safely climb hills largely depends on the rider's skill and judgment. Begin by practicing on smooth, gentle slopes. As you gain experience, you'll learn the hazards and your own limitations. You may then proceed to ride on more difficult terrain. However, you must be able to decide which hills or hazards might cause the FOURTRAX to overturn. Avoid excessively steep hills.

▲ WARNING

POTENTIAL HAZARD

Operating on excessively steep hills.

WHAT CAN HAPPEN

The vehicle can overturn more easily on extremely steep hills than on level surfaces or small hills.

HOW TO AVOID THE HAZARD

Never operate the ATV on hills too steep for the ATV or for your abilities.

Practice on smaller hills before attempting larger hills.

When climbing hills, you must shift weight toward the front wheels to help keep them on the ground. To do this, shift your body slightly forward on the seat and lean forward. For greater weight shift, move your body farther forward and lean forward.

To climb a hill, take a running start in an appropriate gear and speed for the conditions. Maintain a steady speed as you ascend the hill.

Riding on hills with cargo in the rear trunk requires special preparation. Refer to Loading, pages 35–36.

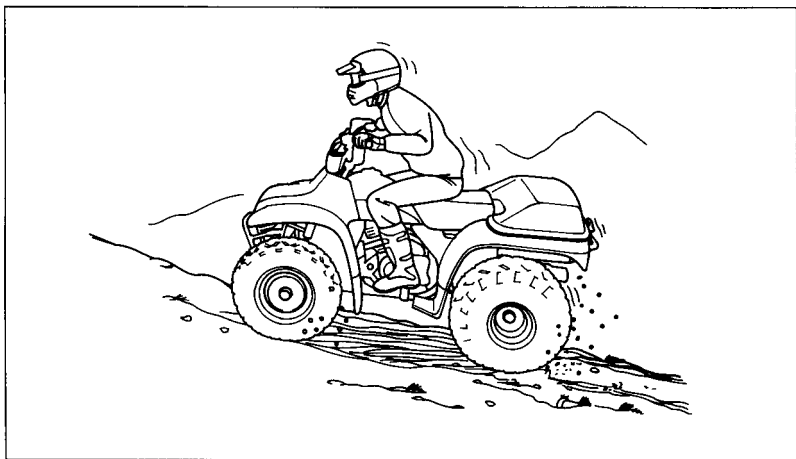


Fig. 3-12

Shift weight forward when climbing hills.

▲ WARNING

POTENTIAL HAZARD

Climbing hills improperly.

WHAT CAN HAPPEN

Could cause loss of control or cause the ATV to overturn.

HOW TO AVOID THE HAZARD

Always follow proper procedures for climbing hills as described in this Owner's Manual.

Always check the terrain carefully before you start up any hill.

Never climb hills with excessively slippery or loose surfaces.

Shift your weight forward.

Never open the throttle suddenly or make sudden gear changes. The ATV could flip over backward.

Never go over the top of any hill at high speed. An obstacle, a sharp drop, or another vehicle or person could be on the other side of the hill.

If you incorrectly estimate climbing capability or terrain conditions, the FOURTRAX may not have enough power or traction to continue uphill.

If you are about to lose all forward speed:

1. Using the front and rear brakes together, bring the FOURTRAX to a stop with the vehicle pointed straight uphill.

2. Get off the FOURTRAX while you continue holding the brakes.
3. Set the parking brake, shift into neutral and turn the engine off.
4. Then assess the situation.

If the FOURTRAX starts rolling backwards before you begin braking, keep your weight uphill, apply the front brakes first, then carefully apply the rear brake as well. Do not apply the rear brake only or abruptly if you are rolling backwards, or the vehicle may overturn.

If the FOURTRAX continues sliding backwards after you've applied the brakes, get off and away from the vehicle.

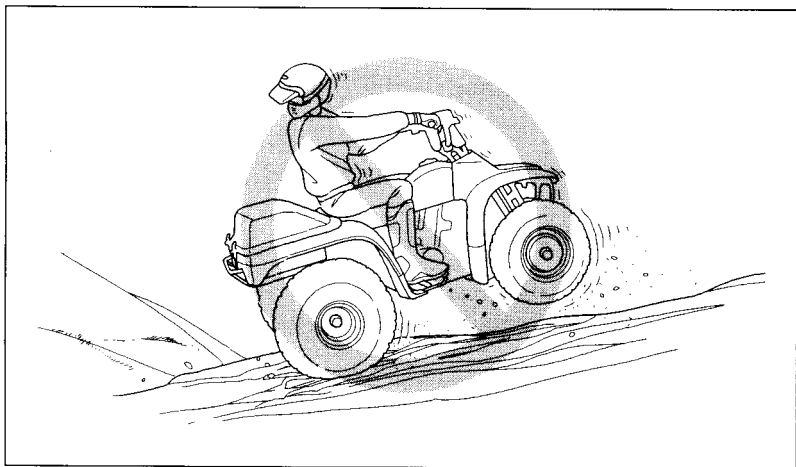


Fig. 3-13 If you roll backwards down a hill, don't apply the rear brake abruptly.

▲ WARNING

POTENTIAL HAZARD

Stalling, rolling backwards or improperly dismounting while climbing a hill.

WHAT CAN HAPPEN

Could result in ATV overturning.

HOW TO AVOID THE HAZARD

Use proper gear and maintain steady speed when climbing a hill.

If you lose all forward speed:

Keep weight uphill.

Apply the brakes.

Lock parking brake, after you are stopped.

If you begin rolling backwards:

Keep weight uphill.

Never apply the rear brake abruptly while rolling backwards.

Apply the front brake.

When fully stopped, apply rear brake as well, and then lock parking brake.

Dismount on the uphill side if the vehicle is not pointed straight uphill.

Back the vehicle down the hill, following the instructions in this Owner's Manual.

If the hill is not too steep and you have good footing, you may be able to walk the FOURTRAX back down the hill. Make sure your intended path is clear in case you lose control of the FOURTRAX. If you decide you can walk the FOURTRAX safely:

1. Stand with your body facing downhill, beside the vehicle so you can reach the rear brake lever with your right hand (See Figure 3-14.)
2. Be sure your legs are clear of the wheels.
3. Check your footing.
4. Then slowly and carefully back the FOURTRAX down the hill using the rear brake lever to control speed.
5. If you lose control of the FOURTRAX, for your safety, get away from the vehicle.

If the hill is too steep or too slippery, or if you have any doubt whether you can safely walk the FOURTRAX back down the hill, leave the vehicle where it is and get help. If possible, block the wheels so the vehicle won't roll backwards.

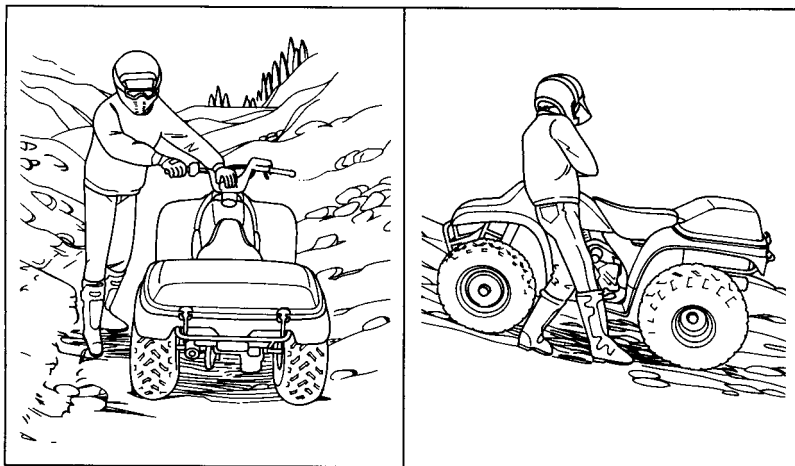


Fig. 3-14 Be sure your legs are clear of the wheels.

Body position for backing down a hill.

While-reading this manual, remember:

▲WARNING

Indicates a strong possibility that serious injury or death may result if instructions are not followed.

RIDING DOWN HILLS

It's usually advisable to descend hills with the FOURTRAX pointed straight downhill. Avoid angles that would cause the vehicle to lean sharply to one side.

As you approach a downhill, stop and survey the terrain below. Never ride past the limit of your visibility.

When you've selected a safe downhill path, shift into a low gear, shift your weight back with your arms extended and braced against the handlebars, then go down slowly with the throttle closed.

Use mainly the rear brake to control speed. Avoid using the front brake hard or abruptly when riding down hills.

Remember, braking effectiveness is reduced on any hill with a loose surface.

Riding on hills with cargo in the travel trunk requires special preparation. Refer to Loading, pages 35—36.

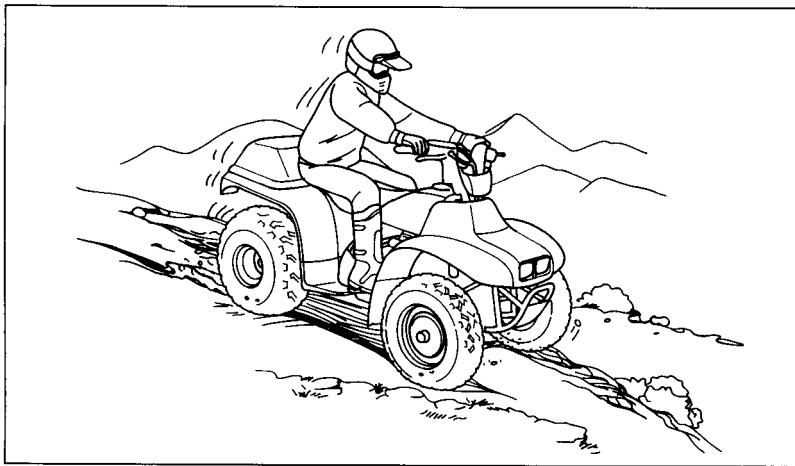


Fig. 3-15

On downhills, shift your weight back.

▲ WARNING

POTENTIAL HAZARD

Going down a hill improperly.

WHAT CAN HAPPEN

Could cause loss of control or cause ATV to overturn.

HOW TO AVOID THE HAZARD

Always follow proper procedures for going down hills as described in this Owner's Manual. Note: a special technique is required when braking as you go down a hill.

Always check the terrain carefully before you start down any hill.

Shift your weight backward.

Never go down a hill at high speed.

Avoid going down a hill at an angle that would cause the vehicle to lean sharply to one side. Go straight down the hill where possible.

CROSSING SLOPES

To maintain balance and stability when riding across a slope, you need to shift weight toward the uphill side of the vehicle. To do this, move your body off the center of the seat and lean toward the uphill side. On a slippery or loose surface, you may also need to steer slightly uphill to maintain a straight course across the slope. Avoid crossing hills that are excessively steep, slippery or rough.

Riding on hills with cargo in the travel trunk requires special preparation. Refer to Loading, pages 35–36.

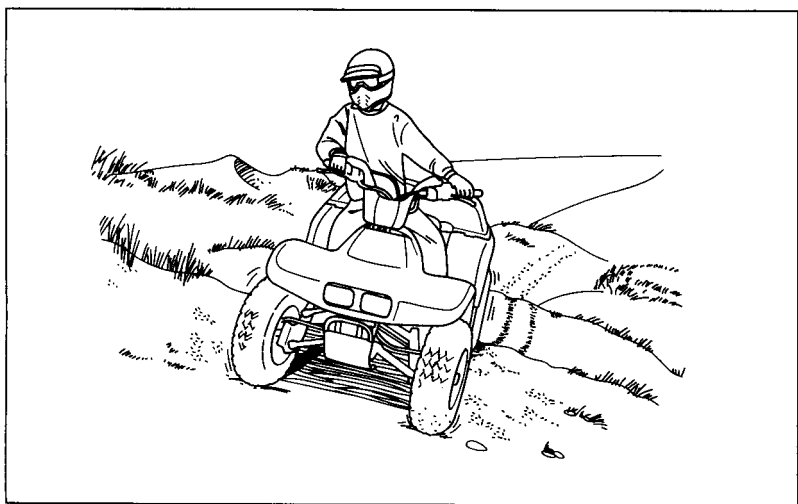


Fig. 3-16

Shift weight uphill when crossing slopes.

MAKING TURNS ON SLOPES

Compared to riding on level ground, you may need to shift more weight and lean more when making turns on slopes. Do not make turns on any slopes until you have first mastered the techniques for making turns on level terrain.

Begin by practicing turning on gentle, smooth slopes before attempting turns on steeper or more difficult terrain. Avoid making turns on very steep, rough or slippery hills.

▲WARNING

POTENTIAL HAZARD

Improperly crossing hills or turning on hills.

WHAT CAN HAPPEN

Could cause loss of control or cause ATV to overturn.

HOW TO AVOID THE HAZARD

Never attempt to turn the ATV around on any hill until you have mastered the turning technique as described in this Owner's Manual on level ground.

Be very careful when turning on any hill.

Avoid crossing the side of a steep hill if possible.

When crossing the side of a hill:

Always follow proper procedures as described in this Owner's Manual.

Avoid hills with excessively slippery or loose surfaces.

Shift your weight to the uphill side of the ATV.

RIDING OVER OBSTACLES

Watch out for bumps, rain ruts, potholes and other obstacles in the terrain. When you approach any obstacle, reduce your speed and be prepared to stop.

Never try to ride over large obstacles, such as large rocks or fallen logs.

▲WARNING

POTENTIAL HAZARD

Improperly operating over obstacles.

WHAT CAN HAPPEN

Could cause loss of control or a collision. Could cause the ATV to overturn.

HOW TO AVOID THE HAZARD

Before operating in a new area, check for obstacles.

Never attempt to ride over large obstacles, such as large rocks or fallen trees.

When you go over obstacles, always follow proper procedures as described in this Owner's Manual.

RIDING THROUGH WATER

Your FOURTRAX is designed to travel through water up to approximately 10 inches deep. Before crossing a stream, make sure the water is not too deep or flowing too fast.

Choose a path where both banks have gradual slopes, then proceed through the water at a slow, steady speed. Watch out for submerged obstacles and slippery rocks. Avoid getting the spark plug or air cleaner wet, as this would cause the engine to stop.

Riding through water can make the brakes less effective than normal. After leaving water, always test both the front and rear brakes. If necessary, apply the brakes repeatedly until they dry out and operate normally. If the brakes don't regain effectiveness, stop your FOURTRAX and follow the procedures on page 121.

▲WARNING

POTENTIAL HAZARD

Operating this ATV through deep or fast flowing water.

WHAT CAN HAPPEN

Tires may float, causing loss of traction and loss of control, which could lead to an accident.

HOW TO AVOID THE HAZARD

Never operate this ATV in fast flowing water or in water deeper than that specified in this Owner's Manual.

Remember that wet brakes may have reduced stopping ability. Test your brakes after leaving water. If necessary, apply them several times to let friction dry out the linings.

PARKING

Always choose a level place to park. After bringing your FOUR-TRAX to a stop, hold the brakes while you shift into neutral. Then set the parking brake and turn the ignition switch OFF. If you're through riding for the day, also turn the fuel valve and the fuel cap vent lever OFF.

While reading this manual, remember:

▲WARNING

Indicates a strong possibility that serious injury or death may result if instructions are not followed.

MAINTENANCE AND REPAIRS

MAINTENANCE SCHEDULE

I: Inspect and Clean, Adjust, Lubricate or Replace if necessary. C: Clean R: Replace A: Adjust L: Lubricate		EVERY	INITIAL SERVICE PERIOD (First week of operation)	REGULAR SERVICE PERIOD (Every 30 operating days)	Refer to page
*	FUEL LINE	YEAR I			—
*	FUEL STRAINER SCREEN	YEAR C			86, 87
*	THROTTLE OPERATION		I	I	88
*	CARBURETOR CHOKE			I	93
	AIR CLEANER	(NOTE 1)		C	89–91
	AIR CLEANER CASE DRAIN TUBE	(NOTE 2)		I	92
	SPARK PLUG			I	104, 105
*	VALVE CLEARANCE		I	I	105
	ENGINE OIL		R	R	25, 96–99
*	ENGINE OIL STRAINER SCREEN	(NOTE 3)			86–87
**	ENGINE OIL CENTRIFUGAL FILTER	(NOTE 3)			—
*	CARBURETOR IDLE SPEED		I	I	93–95
	DRIVE CHAIN	NOTE 1,2	I, L	I, L	100–102
*	BRAKE FLUID	(NOTE 4)	I	I	115, 116

I: Inspect and Clean, Adjust, Lubricate or Replace if necessary. C: Clean R: Replace A: Adjust L: Lubricate		EVERY	INITIAL SERVICE PERIOD (First week of operation)	REGULAR SERVICE PERIOD (Every 30 operating days)	Refer to page
*	BRAKE SHOE WEAR	YEAR 1 (NOTE 2)			111–114 117–120
	BRAKE SYSTEM		I	I	22, 111–121
*	REVERSE LOCK SYSTEM		I	I	107
*	CLUTCH SYSTEM		I	I	106
	SKID PLATE, GUARD PLATE			I	128
*	SUSPENSION			I	—
*	SPARK ARRESTER	(NOTE 5)		C	130, 131
*	NUTS, BOLTS, FASTENERS		I	I	—
**	WHEELS/TIRES		I	I	122–126
**	STEERING SHAFT HOLDER BEARINGS	YEAR 1			—
**	STEERING SYSTEM	YEAR 1			—

* SHOULD BE SERVICED BY YOUR AUTHORIZED HONDA DEALER, UNLESS THE OWNER HAS PROPER TOOLS AND SERVICE DATA AND IS MECHANICALLY QUALIFIED. REFER TO THE OFFICIAL HONDA SERVICE MANUAL.

** IN THE INTEREST OF SAFETY, WE RECOMMEND THESE ITEMS BE SERVICED ONLY BY YOUR AUTHORIZED HONDA DEALER.

- NOTES: 1. Service more frequently when riding in dusty areas, sand or snow.
2. Service more frequently after riding in very wet or muddy conditions.
3. Clean at first 30 days of operation and every year.
4. Replace every 2 years. Replacement requires mechanical skill.
5. USA only.

MAINTENANCE PRECAUTIONS

Before beginning any maintenance or repairs, read the appropriate instructions and warnings and make sure you have all the tools and materials you will need.

Choose a clean area that is level and has good ventilation and good light. Make sure the engine is off unless otherwise instructed. If you need to replace any parts, remember to use only new genuine Honda parts or their equivalents.

▲ WARNING

POTENTIAL HAZARD

Failure to properly maintain the ATV.

WHAT CAN HAPPEN

Increases the possibility of an accident or equipment damage.

HOW TO AVOID THE HAZARD

Always follow the inspection and maintenance procedures and schedules described in this Owner's Manual.

Use only genuine Honda replacement parts or parts of equivalent quality.

▲ WARNING

POTENTIAL HAZARD

Performing maintenance operations with the engine running.

WHAT CAN HAPPEN

Increases the chances of injury from moving parts or hot surfaces.

HOW TO AVOID THE HAZARD

Unless otherwise stated, always turn the engine off before performing any maintenance operations.

TOOL KIT

A tool kit (Fig. 4-1) is provided with your FOURTRAX and stored in the storage compartment behind the seat. The tools in the kit are sufficient to perform routine maintenance and simple repairs. Any extensive work requiring additional tools should be performed by your authorized Honda dealer.

The tool kit includes the following items:

- * Standard/Phillips screwdriver
- * Screwdriver handle
- * Spark plug wrench
- * Tool case

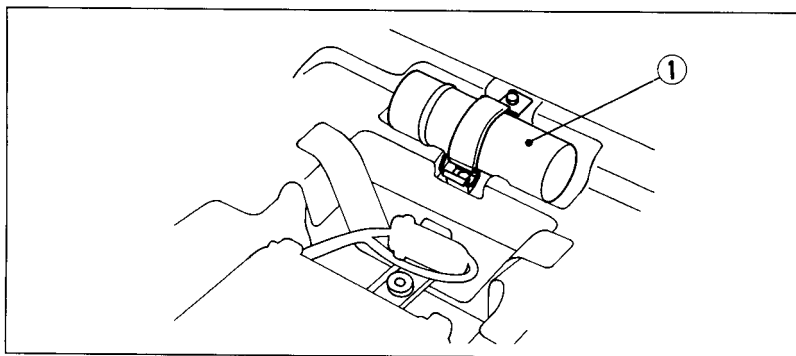


Fig. 4-1

(1) Tool kit

While reading this manual, remember:

▲ WARNING Indicates a strong possibility that serious injury or death may result if instructions are not followed.

FUEL SYSTEM

FUEL

Refueling

Fuel tank capacity is 2.14 US gal (8.1 ℓ), including 0.60 US gal (2.3 ℓ) in the reserve supply.

To refuel, remove the fuel tank cap (Fig. 4-2) by twisting it counterclockwise. Do not overfill (make sure there is no fuel in the filler neck). After adding fuel, tighten the fuel tank cap firmly by turning it clockwise. Align the arrow (2) on the cap with the reference mark (3) on the fuel tank.

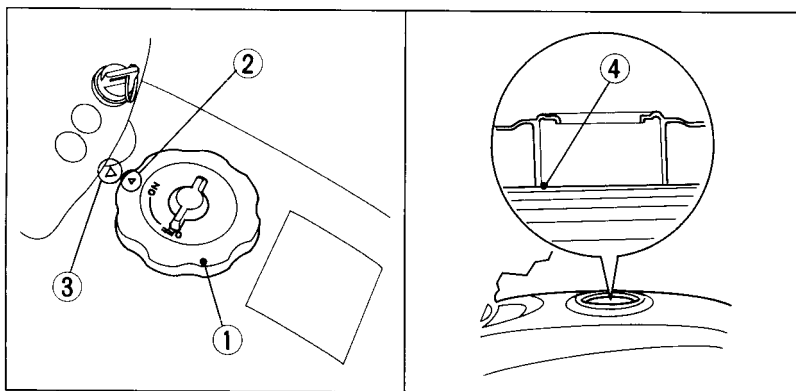


Fig. 4-2

(1) Fuel tank cap

(2) Arrow

(3) Reference mark

(4) Filler neck

▲ WARNING

POTENTIAL HAZARD

Refueling this ATV or handling fuel improperly.

WHAT CAN HAPPEN

The fuel could explode or ignite.

HOW TO AVOID THE HAZARD

Always refuel this ATV and handle fuel in a well-ventilated area with the engine off. Do not smoke or allow flames or sparks in the area where fuel is handled.

Do not overfill the tank. Be careful not to spill fuel when refueling. After refueling, make sure the tank cap is closed properly and securely.

If any fuel is spilled, make sure the area is dry before starting the engine.

▲ WARNING

POTENTIAL HAZARD

Prolonged contact of fuel with the skin.
Breathing fuel vapor.

WHAT CAN HAPPEN

The fuel can cause skin irritation.
Fuel vapor could cause lung damage.

HOW TO AVOID THE HAZARD

Avoid repeated or prolonged contact of fuel with the skin or breathing of fuel vapor.

KEEP OUT OF REACH OF CHILDREN.

Fuel Recommendations

Your engine is designed to use any gasoline that has a pump octane number ($\frac{R + M}{2}$) of 86 or higher, or a research octane number of 91 or higher. (Gasoline pumps at service stations normally display the pump octane number.)

We recommend unleaded fuel because it produces fewer engine and spark plug deposits and extends the life of the exhaust system. Never use stale or contaminated gasoline or an oil/gasoline mixture. Avoid getting dirt, dust or water in the fuel tank.

Using a lower octane than recommended can cause persistent "pinging" or heavy "spark knock" (a metallic rapping noise). If severe, these can lead to engine damage.

CAUTION:

If "spark knock" or "pinging" occurs at a steady engine speed under normal load, change brands of gasoline. If spark knock or pinging persists, consult your authorized Honda dealer. Failure to do so is considered misuse, and damage caused by misuse is not covered by Honda's Limited Warranty.

Gasolines Containing Alcohol

If you decide to use a gasoline containing alcohol (gasohol), be sure its octane rating is at least as high as that recommended above.

There are two types of gasohol: One contains ethanol, and the other contains methanol. Do not use gasohol that contains more than 10% ethanol. Do not use gasohol that contains methanol (methyl or wood alcohol) unless it also contains cosolvents and corrosion inhibitors for methanol. Never use gasoline containing more than 5% methanol, even if it has cosolvents and corrosion inhibitors.

NOTE:

- * Engine performance problems resulting from the use of fuels that contain alcohol are not covered under the warranty. Honda cannot endorse the use of fuels containing methanol since evidence of their suitability is not yet complete.
- * Before buying fuel from an unfamiliar station, try to find out if the fuel contains alcohol. If it does, confirm the type and percentage of alcohol used. If you notice any undesirable operating symptoms while using a gasoline that contains alcohol, or one that you think contains alcohol, switch to a gasoline that you know does not contain alcohol.

FUEL STRAINER SCREEN

The fuel strainer (Fig. 4-3) is in the fuel valve. The strainer has a fine mesh screen (2) which prevents dirt from entering the carburetor passages. Dirt which accumulates in the screen must be removed periodically, or the fuel flow will eventually be restricted.

To clean the fuel strainer screen:

1. Turn the fuel valve OFF.
2. Remove the fuel strainer cup (1).
3. Remove the strainer screen (2).
4. Wash the screen in nonflammable or high flash point solvent.

▲ WARNING

POTENTIAL HAZARD

Using gasoline or low flash point solvents for cleaning ATV parts.

WHAT CAN HAPPEN

A fire or explosion could result.

HOW TO AVOID THE HAZARD

Use only a nonflammable or high flash point solvent to clean ATV parts.

5. Reassemble by reversing the disassembly sequence.
6. Turn the fuel valve and fuel cap vent lever ON, and check for leaks. Correct if necessary.

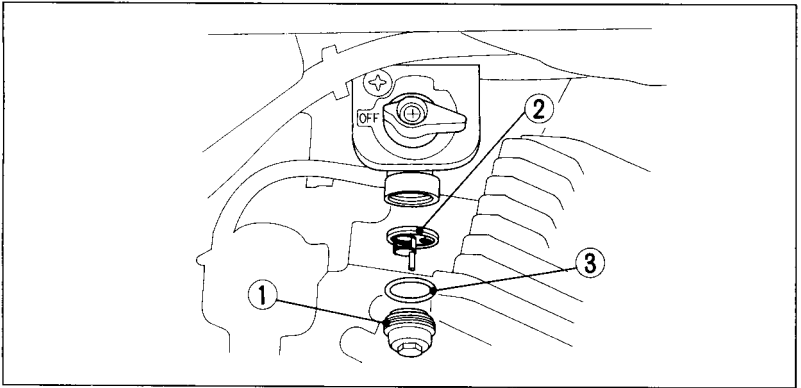


Fig. 4-3

(1) Fuel strainer cup

(2) Strainer screen

(3) O-ring

While reading this manual, remember:

▲WARNING Indicates a strong possibility that serious injury or death may result if instructions are not followed.

THROTTLE

Throttle Cable and Lever

Check the condition of the throttle cable and the operation of the throttle lever. Make sure the cable does not bind or interfere with smooth operation of the throttle in any steering position. If the cable is worn or kinked, have it replaced by your Honda dealer.

Throttle Free Play

Throttle free play, measured at the tip of the throttle lever (Fig. 4-4), should be maintained at $5/16 - 17/32$ in (8–13 mm).

To adjust throttle free play:

1. Slide the rubber sleeve (1) back to expose the throttle cable adjuster (2).
2. Loosen the lock nut (3), then turn the adjuster to obtain the correct free play.
3. Tighten the lock nut and reinstall the sleeve.

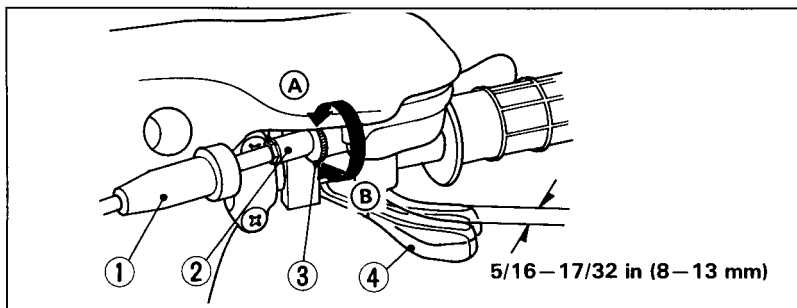


Fig. 4-4

- (1) Rubber sleeve
- (2) Cable adjuster

- (3) Lock nut
- (4) Throttle lever
- (A) To decrease free play
- (B) To increase free play

AIR CLEANER

Air Cleaner Filter

The air cleaner filter accumulates dust and must be cleaned periodically. If the FOURTRAX is ridden in dusty areas, the filter must be cleaned at more frequent intervals than specified in the Maintenance Schedule.

If the FOURTRAX is submerged in water, the filter should be checked and water should be drained from the case before starting the engine.

To clean the air cleaner filter:

1. Remove the seat by pulling up the seat lock lever (Fig. 4-5).
2. Unlatch the four retainer clips (2) and remove the air cleaner cover (3).

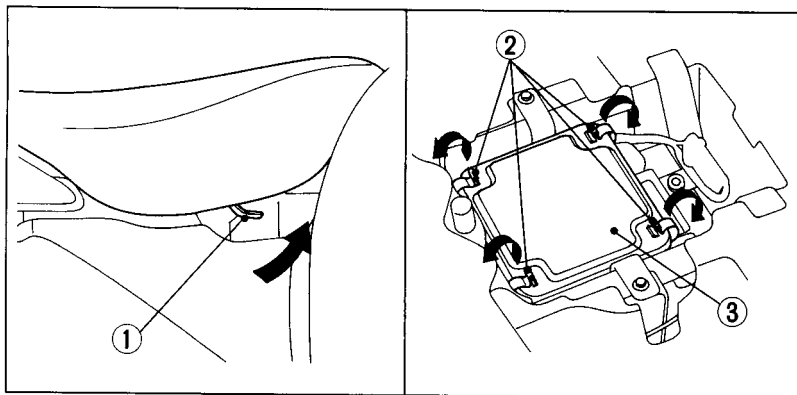


Fig. 4-5
(1) Seat lock lever

(2) Retainer clips
(3) Air cleaner cover

3. Remove the screw (Fig. 4-6) and remove the air cleaner assembly (2) from the case.
4. Unscrew the clamp (3) and remove the mounting bracket (4).
5. Remove the filter (5) from the air cleaner body (6).

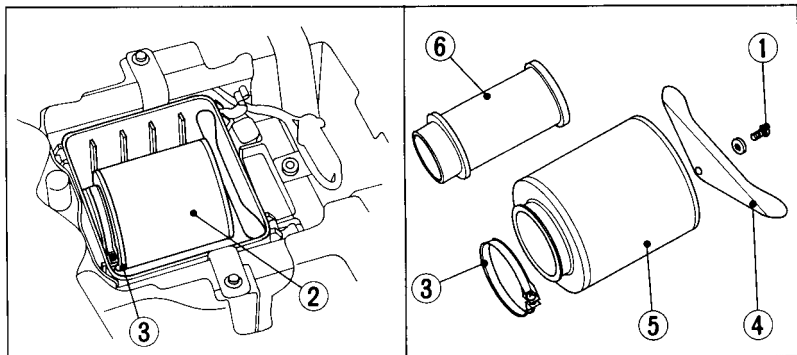


Fig. 4-6

(1) Screw

(2) Air cleaner assembly

(3) Clamp

(4) Mounting bracket

(5) Filter

(6) Air cleaner body

6. Wash the filter in nonflammable or high flash point solvent and allow it to dry thoroughly.

▲WARNING

POTENTIAL HAZARD

Using gasoline or low flash point solvents for cleaning ATV parts.

WHAT CAN HAPPEN

A fire or explosion could result.

HOW TO AVOID THE HAZARD

Use only a nonflammable or high flash point solvent for cleaning ATV parts.

7. Soak the filter in clean gear oil (SAE 80—SAE 90) until saturated, then squeeze out the excess oil.

CAUTION:

Twisting the filter element when squeezing out excess oil could damage the filter.

8. Reassemble by reversing the disassembly sequence.

Air Cleaner Case Drain Tube

The air cleaner case drain tube (Fig. 4-7) should be serviced in accordance with the Maintenance Schedule. If deposits can be seen in the drain tube, the tube must be cleaned before starting the vehicle.

To clean the drain tube:

1. Remove the drain tube (1) by removing the clip (2).
2. Drain the deposits.
3. Reinstall the drain tube, securing it with the clip.

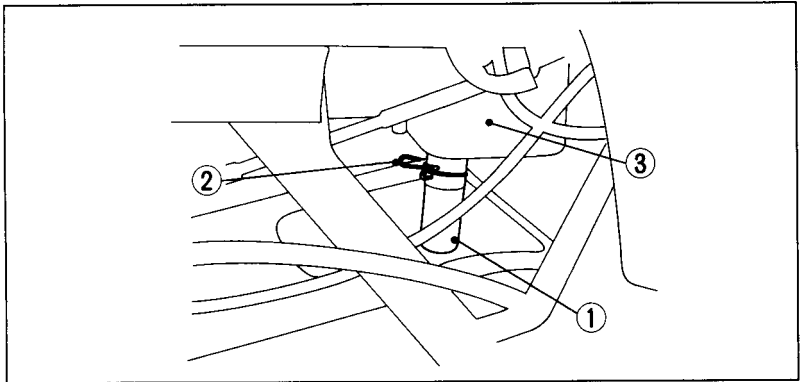


Fig. 4-7
(1) Drain tube

(2) Clip
(3) Air cleaner case

CARBURETOR

Choke Cable and Knob

Check the condition of the choke cable (Fig. 4-8) and the operation of the choke knob (2). If the cable is damaged or kinked, have it replaced by your Honda dealer.

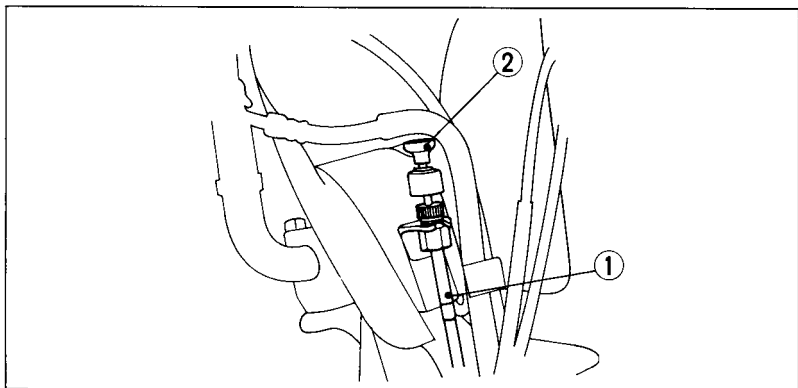


Fig. 4-8

(1) Choke cable

(2) Choke lever

Adjusting Idle Speed and Air-Fuel Mixture

NOTE:

Do not try to compensate for faults in other systems by adjusting the carburetor.

To adjust the idle speed:

1. Warm up the engine. The engine must be warm for accurate idle adjustment. Ten minutes of stop-and-go riding is sufficient.

2. Adjust idle speed by turning the throttle stop screw (Fig. 4-9).
Idle Speed: $1,400 \pm 100$ rpm.

To adjust the air-fuel mixture:

1. Turn the Air screw (2) clockwise until you hear the engine miss or decrease in speed.
2. Then turn the screw counterclockwise until the engine misses or decreases in speed again.
3. Center the Air screw exactly between the two extreme positions. Usually, the correct setting (between extremes of rich and lean) will be found at 1-1/2 turns open from a fully closed position.
4. If idle speed changes after adjusting the fuel mixture, readjust the throttle stop screw.

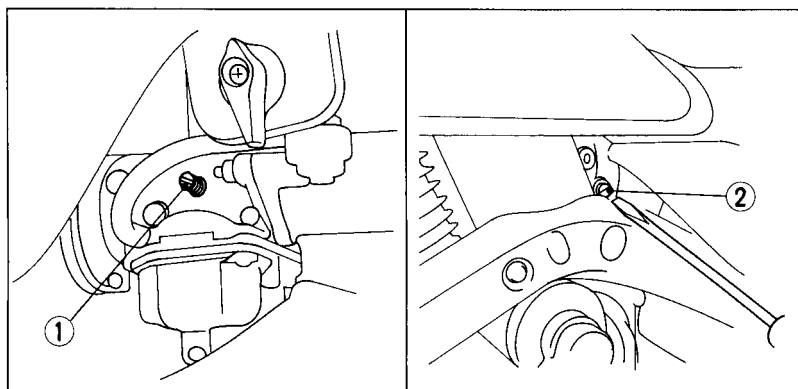


Fig. 4-9

(1) Throttle stop screw

(2) Air screw

High Altitude Adjustment

When operating this FOURTRAX at altitudes ranging from 3,000–8,000 feet (1,000–2,500 m) or higher, the air-fuel mixture becomes overly rich. This may result in poor engine performance and increased fuel consumption.

A high altitude jet is available to compensate for high altitude richness (see the table below). For those who are mechanically proficient and have the necessary tools, installation and adjustment procedures are given in the official Honda Service Manual available from your Honda dealer. All others should have this carburetor modification performed by an authorized Honda dealer.

CAUTION:

Sustained operation with the high altitude jet at altitudes below 5,000 feet (1,500 m) may cause engine overheating and damage.

Altitude range	Main jet	Air screw
0–5,000 feet (0–1,500 m)	No. 95	Factory preset
3,000–8,000 or higher feet (1,000–2,500 m)	No. 92	Screw in 1/2 turn out from factory preset

LUBRICATION

ENGINE OIL

Checking Engine Oil Level and Adding Oil

Check the engine oil level each day before operating your FOUR-TRAX and add oil if needed.

To check the oil level:

1. Make sure the vehicle is on level ground and the engine is off.
2. Remove the oil filler cap/dipstick (Fig. 4-10) from the right crankcase cover and wipe it clean.
3. Insert the dipstick without screwing it in, then remove the dipstick and check the oil level. The oil level should be between the upper level mark (2) and the lower level mark (3) on the dipstick.
4. If required, add the specified oil into the filler cap hole, up to the upper level mark on the dipstick. Do not overfill.
5. Reinstall the oil filler cap/dipstick.

CAUTION:

Running the engine with improper oil level can cause serious engine damage.

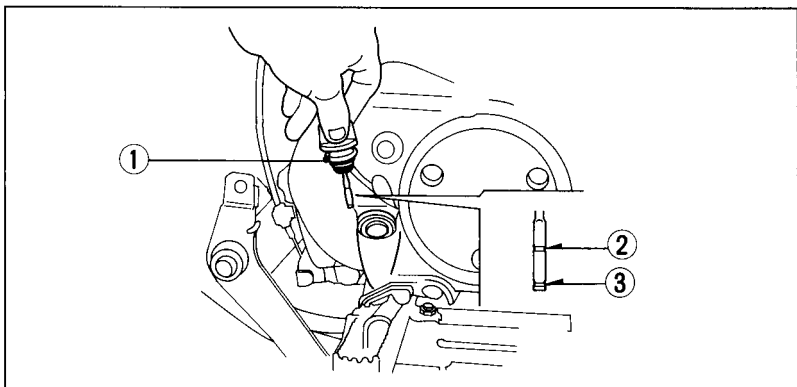


Fig. 4-10
(1) Oil filler cap/dipstick

(2) Upper level mark
(3) Lower level mark

Engine Oil Recommendations

Recommended Oil Viscosity: SAE 10W-40. Other viscosities shown in Fig. 4-11 may be used when the average temperature in your riding area is within the indicated range.

USE HONDA 4-STROKE OIL OR AN EQUIVALENT. Use only high detergent, premium quality motor oil certified to meet or exceed US automobile manufacturer's requirements for Service Classification SF or SG. Motor oils intended for Service SF or SG will show this designation on the container. The use of special oil additives is unnecessary and will only increase operating expenses.

NOTE:

- * Engine oil is a major factor affecting the performance and service life of the engine. Nondetergent, vegetable, or castor based racing oils are not recommended.
- * Do not use oils with graphite or molybdenum additives. They may adversely affect clutch operation.

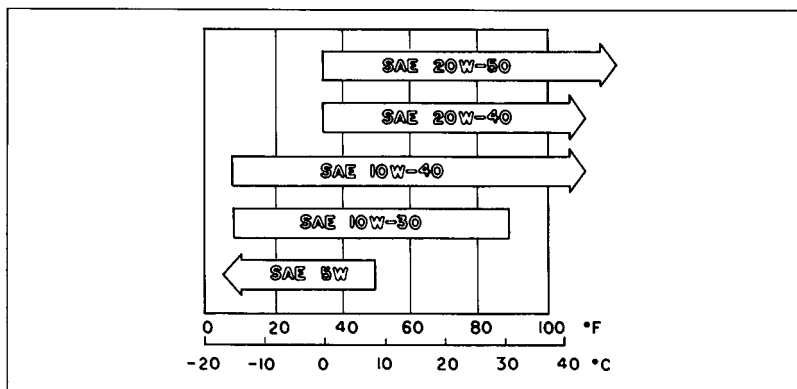


Fig. 4-11

Recommended oil viscosities

Changing the Engine Oil

Engine oil should be changed in accordance with the Maintenance Schedule. Use motor oils of the grade and viscosity recommended.

When changing oil, drain the oil from the crankcase while the engine is still warm. This will ensure complete and rapid draining.

To change the oil:

1. With the FOURTRAX on level ground, remove the oil filler cap/dipstick from the right crankcase cover (Fig. 4-10).
2. Place an oil drain pan under the crankcase and remove the oil drain plug (Fig. 4-12).

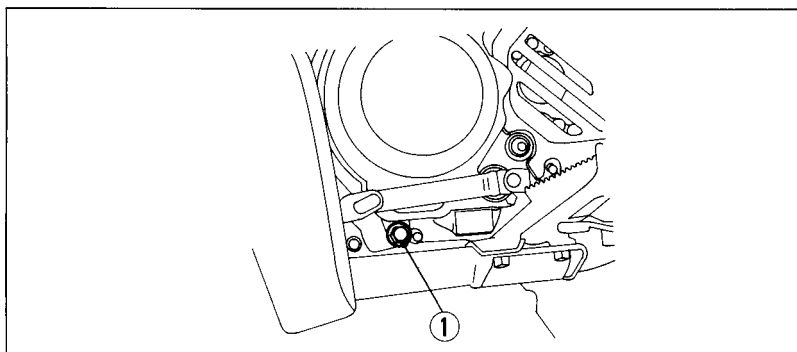


Fig. 4-12

(1) Oil drain plug

3. When the oil has been completely drained, check that the drain plug sealing washer is in good condition and install the drain plug.
4. Reinstall the oil drain plug securely and fill the crankcase with approximately 1.9 ℓ (2.0 US qt) of the recommended oil.
5. Reinstall the oil filler cap.
6. Start the engine and let it idle for a few minutes.
7. Stop the engine and make sure that oil level is between the upper and lower marks on the dipstick. If necessary, add more oil but do not overfill.

CAUTION:

- **Running the engine with improper oil level can cause serious engine damage.**
- **Improper installation of the oil filter can cause serious engine damage.**

NOTE:

To protect the environment, please dispose of used engine oil properly. We suggest you place used oil in a sealed container and take it to your local service station for reclamation. Do not put it in the trash or pour it on the ground.

DRIVE CHAIN

The drive chain (1) will wear with use and requires periodic adjustment in accordance with the maintenance schedule.

NOTE:

* Check, adjust or lubricate the chain with the engine off.

Chain slack should be checked by measuring the amount of chain slack midway between the sprockets. The amount of slack should be 0.6–1.0 in (15–25 mm). To adjust slack, loosen the rear axle holder fixing bolts (2), (Fig. 4-14). Turn the adjusting nuts (3), (Fig. 4-14) to decrease or increase chain slack. Retighten the rear axle holder fixing bolts.

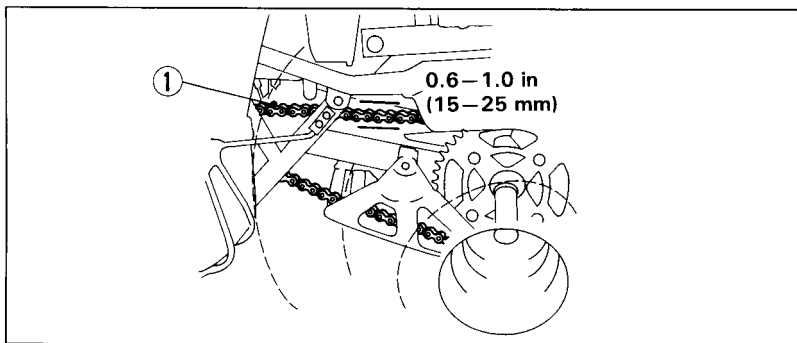


Fig. 4-13

(1) Drive chain

Lubrication and cleaning

Lubricate every 30 days of riding or sooner if chain appears dry. The O-rings in this chain can be damaged by steam cleaning, high pressure washers, and certain solvents.

Clean the chain with kerosene. Wipe dry and lubricate only with SAE 80 or 90 gear oil. Commercial chain lubricants may contain solvents which could damage the rubber O-rings.

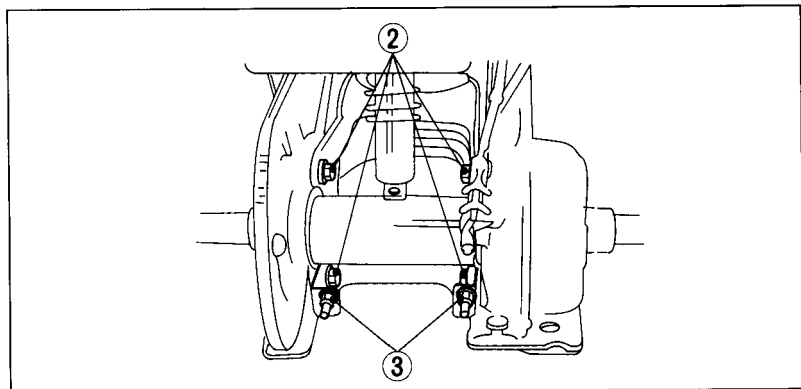


Fig. 4-14
(2) Fixing bolts

(3) Adjusting nuts

Replacement

With the upper or lower section of drive chain tight between the sprockets measure the distance between a span of 21 pins from pin center to pin center. In a new chain, this distance will measure 12.5 in (317.5 mm). If the distance exceeds 12.6 in (319.1 mm), the chain is worn out and should be replaced.

Service limit: 12.6 in (319.1 mm)

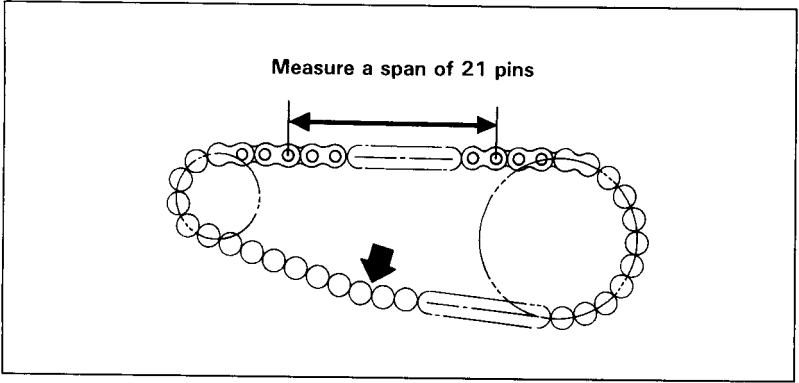


Fig. 4-15

Drive Chain Slider

Check the drive chain slider at the intervals specified in the Maintenance Schedule.

When the depth of the grooves in the slider reaches 0.12 in (3.0 mm), remove material to lower the height of the center ridge between the grooves to less than 0.12 in (3.0 mm).

Replace the slider when the depth of the grooves reaches 0.24 in (6.0 mm).

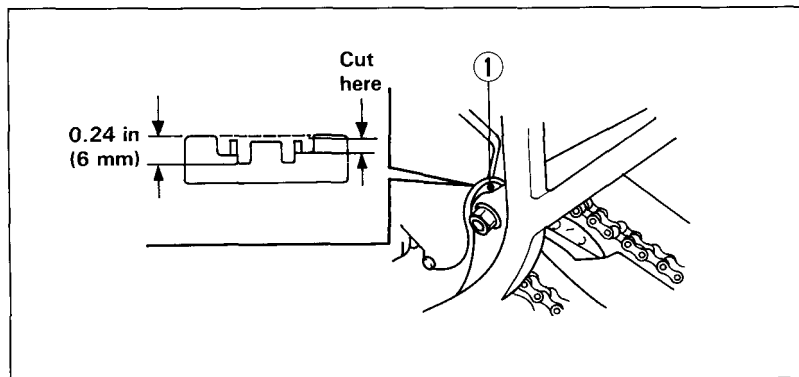


Fig. 4-16

(1) Drive chain slider

ENGINE

SPARK PLUG

The standard spark plug is DR8ES-L (NGK) or X24ESR-U (ND).

CAUTION:

Using a spark plug of incorrect size or heat range can cause serious engine damage.

To check and change the spark plug:

1. Disconnect the spark plug cap.
2. Clean any dirt from around the spark plug base.
3. Remove the plug with the wrench provided in the tool kit.
4. Visually inspect the spark plug electrodes for wear. The center electrode (Fig. 4-17) should have square edges, and the side electrode (2) should not be eroded. If the electrodes and insulator tip appear unusually fouled or burned, we suggest that you contact your authorized Honda dealer.
5. Discard the spark plug if there is apparent wear or if the insulator is cracked or chipped.
6. Using a wire-type feeler gauge, make sure that the spark plug gap is 0.024–0.028 in (0.6–0.7 mm). If adjustment is necessary, bend the side electrode carefully.
7. With the plug washer attached, thread the spark plug in by hand to prevent cross-threading.
8. After threading by hand, tighten a new spark plug 1/2 turn with the spark plug wrench to compress the washer. If you are reusing a plug, it should only take 1/8–1/4 turn after the plug seats.

CAUTION:

The spark plug must be securely tightened. An improperly tightened plug can become very hot and possibly damage the engine.

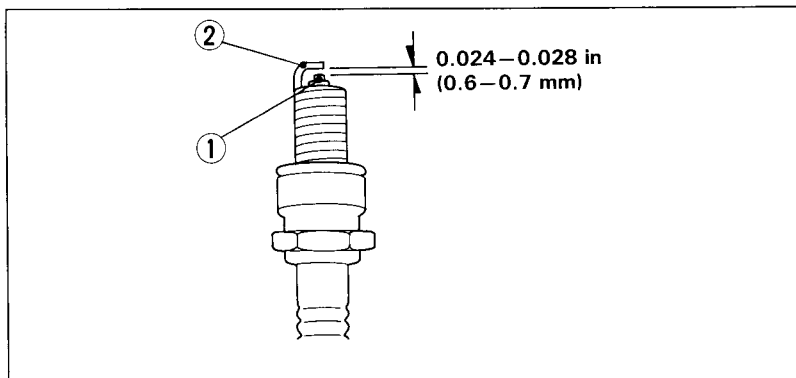


Fig. 4-17

(1) Center electrode

(2) Side electrode

VALVES

Valve clearance should be maintained at 0.006 in (0.16 mm). Excessive clearance will cause noise. Insufficient clearance will cause loss of power and possibly damage the valves.

For those who are mechanically proficient and have the proper tools, instructions on adjusting valve clearances are given in the official Honda Service Manual. All others should have valves adjusted by an authorized Honda dealer.

CLUTCH

Clutch Adjustment

To adjust the clutch:

1. Make sure the ignition switch is OFF.
2. Loosen the lock nut (Fig. 4-18), and turn the clutch adjuster (2) counterclockwise until you feel slight resistance.
3. Then turn the adjuster 1/4 turn clockwise, and tighten the lock nut to hold the adjuster in this position.
4. After adjustment, start the engine and test ride the FOURTRAX to be sure the clutch is operating properly.

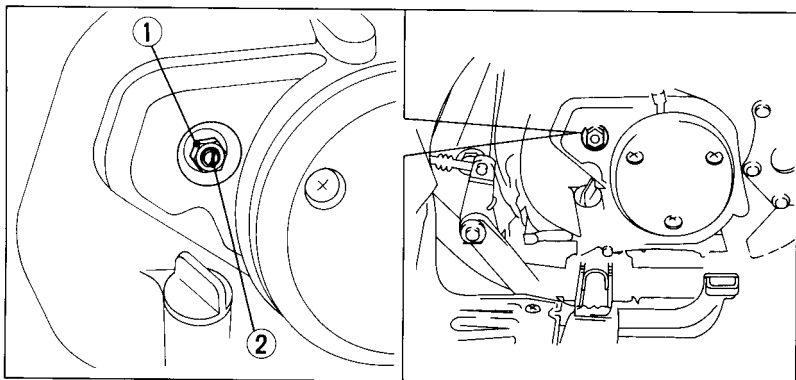


Fig. 4-18

(1) Lock nut

(2) Clutch adjuster

Reverse Lock System

Measure the reverse lever free play. Free play, measured at the lever end near the cable (Fig. 4-19), should be within 1/16—1/8 in (2—4 mm).

To adjust, loosen the lock nut (1) and turn the adjusting nut (2). Tighten the lock nut securely.

Other Checks:

Check the reverse lever and cable for loose connections or other damage. If the cable is worn or kinked, have it replaced by your Honda dealer.

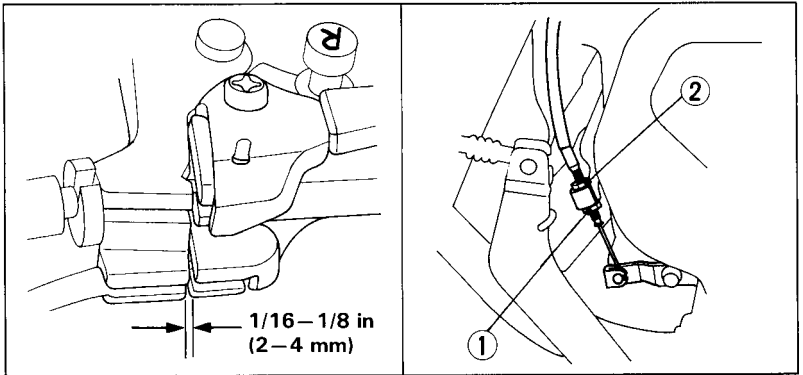


Fig. 4-19

(1) Lock nut

(2) Adjusting nut

ELECTRICAL SYSTEM

BATTERY

Your FOURTRAX battery is located in a compartment under the seat. The battery is sealed, so it is not necessary to check the electrolyte level or add distilled water. If the battery seems weak, see your authorized Honda dealer for information on recharging or replacement. If you replace the battery, choose one that is sealed and equivalent to the original. Be sure to read and follow all safety precautions indicated on the battery.

CAUTION:

Do not attempt to remove the caps from the battery cells as this may damage the battery.

Although the battery is sealed, it vents explosive gases and should be handled with appropriate care.

▲WARNING

POTENTIAL HAZARD

Allowing open flames or sparks near the battery.

WHAT CAN HAPPEN

Gases may explode and possibly cause injury.

HOW TO AVOID THE HAZARD

Do not allow open flames or sparks near the battery.

When the FOURTRAX is to be stored for an extended period, remove the battery from the vehicle and charge it fully. Then store it in a cool, dry place. If the battery is to be left on the vehicle, disconnect the negative cable from the battery terminal.

FUSE

As illustrated in Fig. 4-20, the main fuse (1) and the spare fuse (3) are located in the battery compartment. The main fuse is 15 A.

If a fuse fails frequently, it usually indicates a short circuit or an overload in the electrical system. See your authorized Honda dealer for repair.

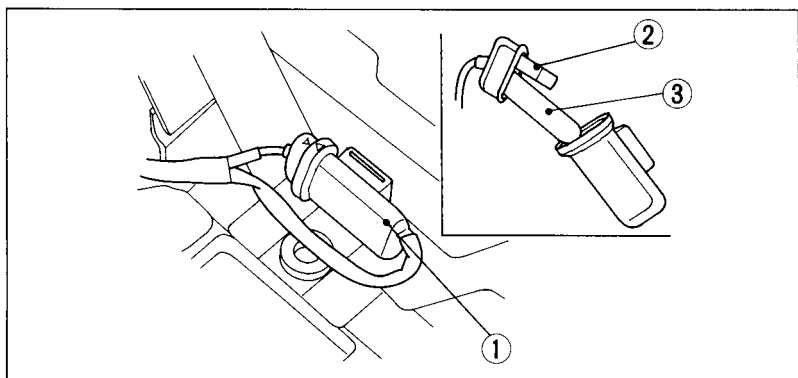


Fig. 4-20

(1) Main fuse

(2) Spare fuse

(3) Fuse holder

To replace a fuse:

1. Make sure the ignition switch is OFF.

CAUTION:

Turn the ignition switch OFF before checking or replacing the fuse to prevent accidental short-circuiting which could damage the electrical system.

2. Open the fuse holder (Fig. 4-21) and lift out the fuse with the clips (2).
3. Slide the old fuse out of the clips and discard it.
4. Slide the clips onto the ends of the new fuse, push them back into the fuse holder, and close the fuse holder.

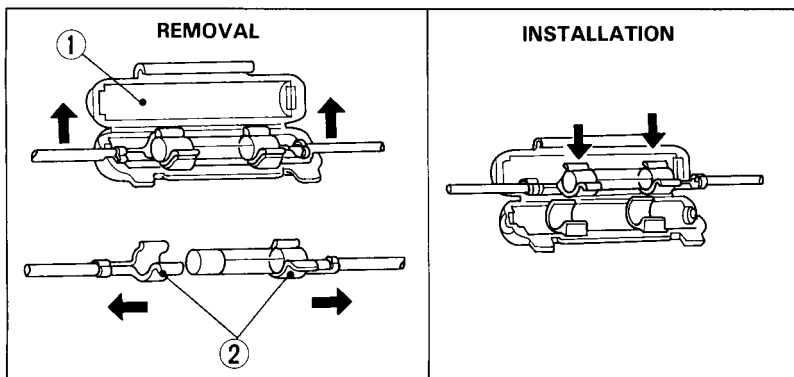


Fig. 4-21

- (1) Fuse holder
(2) Clips

▲ WARNING

POTENTIAL HAZARD

Improperly replacing a fuse.

WHAT CAN HAPPEN

Serious damage to the electrical system, which could cause a fire or a loss of lights or engine power, which could lead to an accident.

HOW TO AVOID THE HAZARD

Never use a fuse with a different rating from that specified in this Owner's Manual.

Do not pry the clips open to get a fuse out, as a loose fuse could cause damage to the electrical system or start a fire.

BRAKES

FRONT BRAKES

This FOURTRAX has hydraulic front drum brakes on both front wheels. Each day before riding you should check the brake lever free play and inspect the system for fluid leaks. The brake fluid level should be checked frequently, and the brake shoe linings should be inspected periodically.

To check lever free play and shoe lining clearance:

1. Measure the distance the brake lever (Fig. 4-22) moves before the brakes start to take hold. Free play, measured at the tip of the front brake lever (1) should be within 1 – 1-1/4 in (25 – 30 mm).

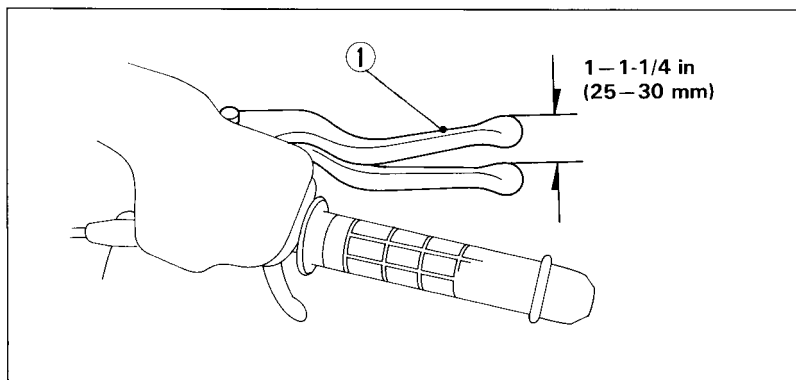


Fig. 4-22

(1) Front brake lever

2. Remove the inspection hole plug (Fig. 4-23) and measure the lining thickness (2) on both front wheels.

Lining Thickness: Standard: 0.16 in (4.0 mm)

Service Limit: 0.08 in (2.0 mm)

If either lining is worn beyond the limit, both brake shoes must be replaced by an authorized Honda dealer.

3. If the brake lever free play and the brake shoe lining thicknesses are within the recommended limits, reinstall the inspection hole plugs, seating them into the inspection holes as shown in Fig. 4-23.
4. If the brake lever free play is excessive but the linings are not worn beyond the service limit, adjust the brake lining clearance.

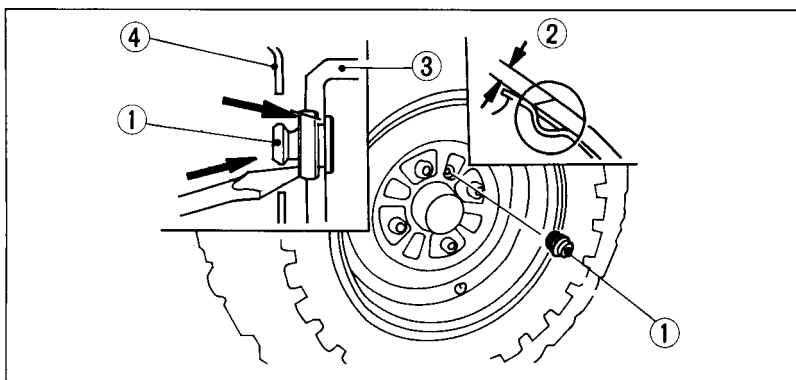


Fig. 4-23

(1) Inspection hole plug

(2) Lining thickness

(3) Front brake drum

(4) Front wheel rim

To adjust the brake lining clearance:

1. Squeeze the brake lever firmly two or three times then release it.
2. Raise the front wheels off the ground by placing a support block under the vehicle.
3. Beginning with either the left or right front wheel, remove the inspection hole plug (Fig. 4-23) and line up the hole with one of the brake adjusters (Fig. 4-23).
4. Using a screwdriver, turn up the brake shoe adjuster (1) until the front brake locks.

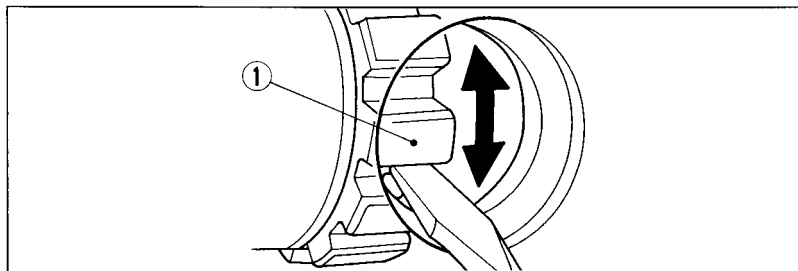


Fig. 4-24

(1) Brake adjuster

5. Back the adjuster off three clicks, then squeeze the brake lever several times. Spin the wheel manually to make sure the brake does not drag.
6. Line up the inspection hole with the second adjuster and repeat steps 3 through 5.
7. Reinstall the inspection hole plug, seating it into the inspection hole as shown in Fig. 4-23.
8. Follow steps 3 through 7 to adjust the other front brake.
9. Recheck the brake lever free play. If free play is still excessive after adjusting the brake lining clearance, there is probably air in the brake system and it must be bled out. See your authorized Honda dealer for this service.

To check the brake fluid level:

Brake fluid must be added to the reservoir (Fig. 4-25) whenever the fluid level approaches the lower level mark (1). Use only DOT 3 or 4 brake fluid and have it added by an authorized Honda dealer.

CAUTION:

- * **To prevent damage to the brake system, use only fluid from a sealed container. Never allow contaminants (dirt, water, etc.) to enter the brake fluid reservoir.**
 - * **Brake fluid can damage paint and plastic, so handle the fluid with care. When adding brake fluid, be sure the reservoir is horizontal before removing the cover to prevent accidental spilling.**
1. Check if the fluid level is below the lower level mark through the inspection hole.

While reading this manual, remember:

▲WARNING Indicates a strong possibility that serious injury or death may result if instructions are not followed.

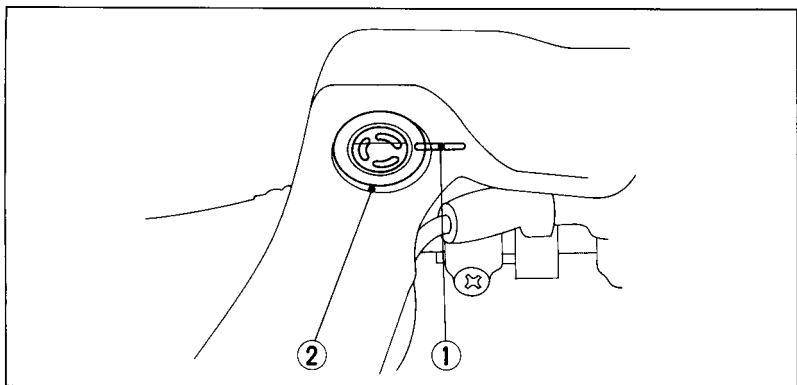


Fig. 4-25 (1) Lower level mark (2) Inspection window

▲ WARNING

POTENTIAL HAZARD

Brake fluid contacting the skin or eyes.

WHAT CAN HAPPEN

May cause irritation.

HOW TO AVOID THE HAZARD

Avoid contacting brake fluid with the skin or eyes. In case of contact, flush thoroughly with water and call a doctor if your eyes were exposed.

Other Checks:

1. Make sure there are no fluid leaks.
2. Check the condition of brake hoses and fittings. If the hoses are worn or cracked, have them replaced by an authorized Honda dealer.

REAR BRAKE

This FOURTRAX has a single mechanical drum brake on the rear axle housing. Each day before riding you should check the operation of both the rear brake pedal and the rear brake lever. You should also periodically check the brake shoes for wear.

To check and adjust brake pedal free play:

Measure the distance the rear brake pedal moves before the brake starts to take hold. Free play, measured at the end of the pedal (Fig. 4-26), should be $5/8 - 3/4$ in (15–20 mm).

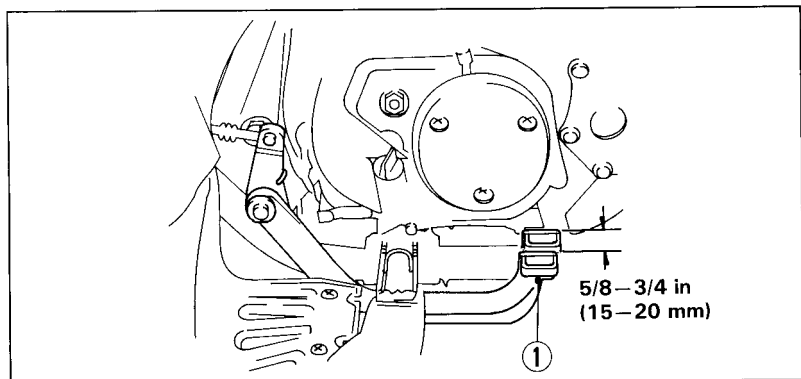


Fig. 4-26

(1) Rear brake pedal

To adjust the free play, turn the brake pedal adjusting nut (Fig. 4-27), located on the brake operating rod at the rear of the frame.

NOTE:

Make sure the cut-out on the adjusting nut is properly seated on the brake arm pin (3).

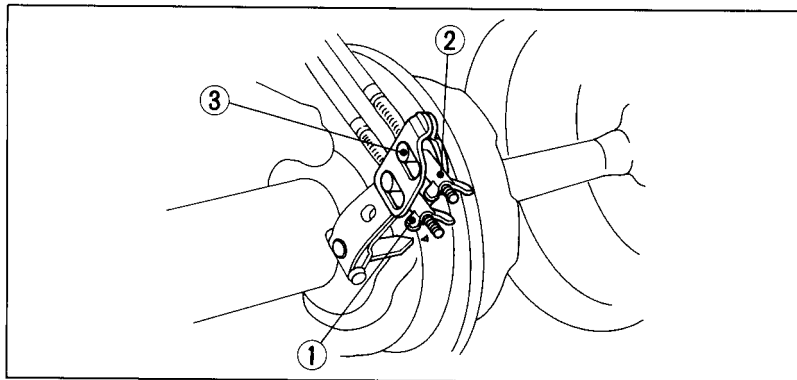


Fig. 4-27

- (1) Brake pedal adjusting nut
- (2) Brake lever adjusting nut
- (3) Brake arm pin

To check and adjust brake lever free play:

Measure the distance the rear brake lever moves before the brake starts to take hold. Free play, measured at the tip of the brake lever (Fig. 4-28), should be within 5/8–3/4 in (15–20 mm).

Minor adjustments can be made with the adjuster (2) on the brake lever. Loosen the lock nut (3) and turn the adjuster. Major adjustments should be made using the brake lever adjusting nut on the brake arm (Fig. 4-29).

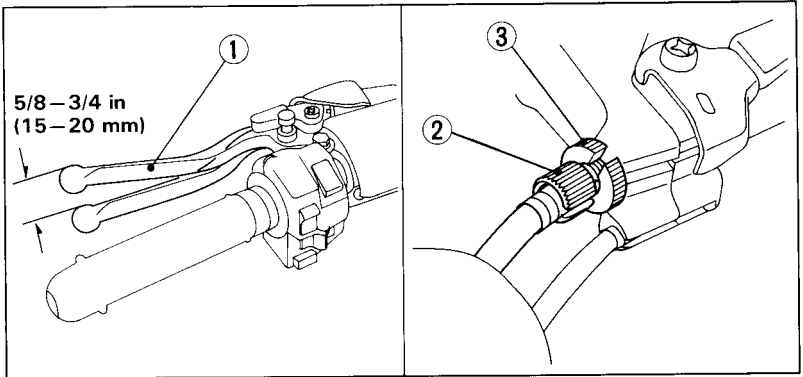


Fig. 4-28
(1) Brake lever

(2) Adjuster
(3) Lock nut

To check rear brake shoe wear:

When the brake is applied, an arrow (3) attached to the brake arm (2) moves toward a reference mark (4) on the brake panel (see Fig. 4-29).

If the arrow aligns with the reference mark on full application of the brake, the brake shoes must be replaced. See your authorized Honda dealer for this service.

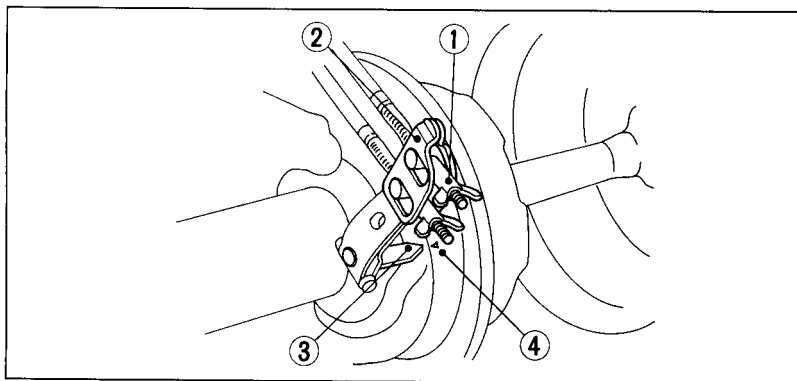


Fig. 4-29

(1) Brake lever adjusting nut

(2) Brake arm

(3) Arrow

(4) Reference mark

Other Checks:

Check the condition of the brake cables. If there are kinks or signs of wear that could cause sticking or failure, have the cables replaced by an authorized Honda dealer. Make sure the brake arm, spring, and fasteners are in good condition.

DRAINING WATER FROM BRAKES

Make sure the engine is off and the parking brake is set. Then remove the drain bolt (Fig. 4-30) from the bottom of the rear brake cover. If any water drains, the brake seals must be replaced by your Honda dealer as soon as possible.

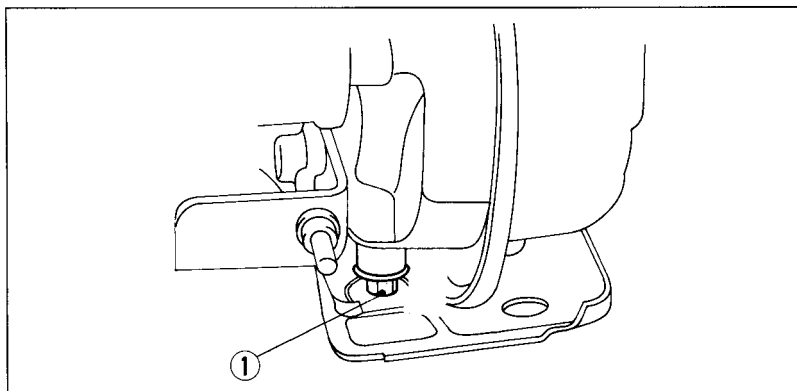


Fig. 4-30

(1) Rear brake drain bolt

WHEELS AND TIRES

WHEEL REMOVAL

If you need to remove a wheel from your FOURTRAX, follow these procedures:

1. Raise the front (or rear) wheels off the ground and place a support securely under the vehicle.
2. Loosen the wheel nuts (Fig. 4-31) with a 17 mm socket wrench.
3. Remove the wheel.

When reinstalling a wheel, tighten the wheel nuts in a crisscross (rather than a circular) pattern to 47 ft-lb (65 N·m, 6.5 kg-m). Be sure the tapered side of the wheel nuts face the wheel rim (2).

⚠ WARNING

POTENTIAL HAZARD

Installing wheels improperly.

WHAT CAN HAPPEN

A wheel may come loose, possibly leading to an accident.

HOW TO AVOID THE HAZARD

Carefully follow the instructions in this Owner's Manual when installing wheels.

NOTE:

If a torque wrench was not used for installation, see your authorized Honda dealer before operating the vehicle to verify proper assembly.

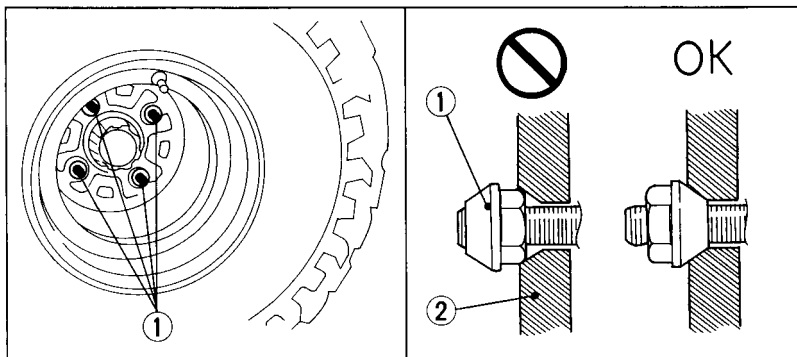


Fig. 4-31

(1) Wheel nuts

(2) Wheel rim

TIRES

This FOURTRAX is equipped with low pressure tubeless tires. Although the tires are designed specifically for off-road use, they are not immune to punctures. Always select your riding area with care.

Tire Pressure

Check the tire pressure frequently with the air pressure gauge supplied with the vehicle. For normal use, the tires should be inflated to the pressure recommended in Fig. 4-32.

NOTE:

* Tire pressure should be checked before you ride, when the tires are "cold." Be sure to check tire pressure at the riding site, since changes in altitude can affect air pressure.

- * A manually operated tire pump should be used rather than the high pressure systems found in service stations. This will minimize the possibility of tire damage from overinflation.

	FRONT	REAR
TIRE SIZE	AT 21x7—10★	AT 22x9—8★
TIRE BRAND	GOOD YEAR ATT901	GOOD YEAR ATT902
RECOMMENDED PRESSURE	2.9 psi (20 kPa, 0.20 kg/cm ²)	2.9 psi (20 kPa, 0.20 kg/cm ²)
MAXIMUM PRESSURE	3.3 psi (23 kPa, 0.23 kg/cm ²)	3.3 psi (23 kPa, 0.23 kg/cm ²)
MINIMUM PRESSURE	2.5 psi (17.5 kPa, 0.17 kg/cm ²)	2.5 psi (17.5 kPa, 0.17 kg/cm ²)

Fig. 4-32

Tire specifications

▲ WARNING

POTENTIAL HAZARD

Operating this ATV with improper tires, or with uneven tire pressure.

WHAT CAN HAPPEN

Use of improper tires on this ATV, or operation of this ATV with improper or uneven tire pressure, may cause loss of control, increasing your risk of an accident.

HOW TO AVOID THE HAZARD

Always use the size and type tires specified in this Owner's Manual for this vehicle.

Always maintain proper tire pressure as described in this Owner's Manual.

Tire Tread Condition

To check the condition of a tire tread, measure the groove depth (1) in the center of the tire, or check the wear indicator (2) as shown in Fig. 4-33. The minimum tread depth is 0.16 in (4 mm). When the tread depth is less than recommended, the tire should be replaced.

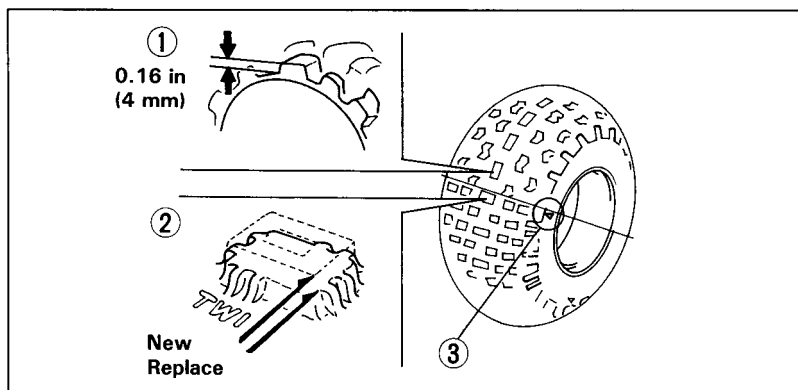


Fig. 4-33

(1) Groove depth

(2) Wear indicator

(3) Wear indicator location mark

Repairing a Flat Tire

If you have a flat tire, use the plug method to make a temporary repair. (The plug method is applied from the outside of the tire and is the same as that for conventional tubeless tires.)

A plug-type repair kit, available at most auto parts stores or service stations, provides a plug, an installation tool, tire cement, and an instruction sheet. Follow the instructions provided with the repair kit to make a temporary repair.

As soon as possible, have the tire permanently repaired by an authorized Honda dealer. Any tire that cannot be repaired should be replaced.

Whenever the FOURTRAX is to be operated far from service facilities or available transportation, we recommend that you carry a tire pump and a repair kit with the vehicle.

SEAT REMOVAL

To remove the seat (Fig. 4-34), pull up the seat lock lever (1) at the left side of the seat lift it up.

To install the seat, align the tabs on the seat with the grommets on the frame and press the seat down until it locks.

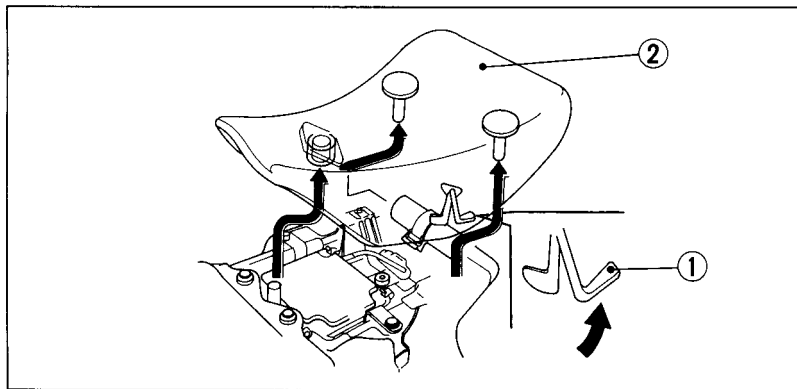


Fig. 4-34 (1) Seat lock lever (2) Seat

SKID PLATE, GUARD PLATE

The skid plates (Fig. 4-35) protect the frame/lower arm, the drive components and the rear brake. Check the plates for cracks, damage or looseness at intervals shown in the Maintenance Schedule.

Have the skid plates replaced if they are cracked or damaged. If the plate bolts are loose, tighten them securely.

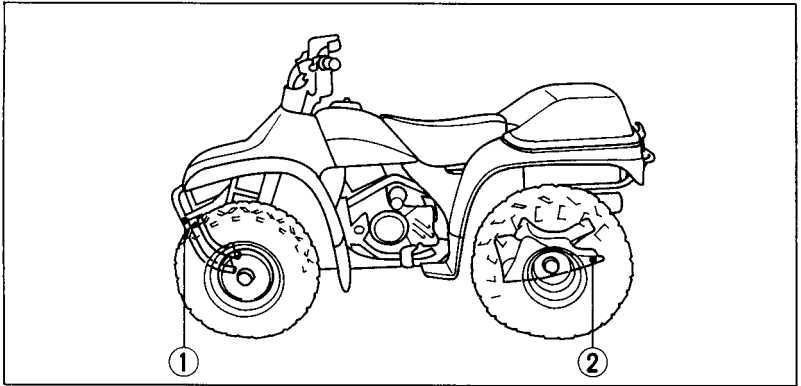


Fig. 4-35 (1) Guard plate (2) Skid plate

While reading this manual, remember:

▲ WARNING Indicates a strong possibility that serious injury or death may result if instructions are not followed.

▲ WARNING

POTENTIAL HAZARD

Improperly purging the exhaust system.

WHAT CAN HAPPEN

Could injure the eyes.

Could cause burns.

Could cause carbon monoxide poisoning, possibly leading to death.

Could start a fire.

HOW TO AVOID THE HAZARD

When purging the exhaust system:

Always wear eye protection, and make sure no one stands behind the vehicle.

Always let the exhaust system cool before performing this operation.

Never run the engine in an enclosed area.

Make sure there are no combustible materials in the area.

TRANSPORTING YOUR FOURTRAX

When you transport your FOURTRAX, we recommend that you carry the vehicle in its normal operating position (on all four wheels) and follow these procedures:

1. Set the parking brake and place the transmission in gear.
2. Turn the fuel cap lever and fuel valve OFF.
3. Secure the vehicle properly. Suitable "tie downs" are available from your Honda dealer. Ordinary rope is not recommended because it can stretch under load.

If it is necessary to incline your FOURTRAX upright on the rear end:

1. Follow steps 1 and 2 above.
2. Place the carburetor drain tube in a suitable container.
3. Turn the drain screw counterclockwise and drain the fuel from the carburetor.
4. After draining the carburetor, turn the drain screw clockwise until it is tight.
5. Pour the drained fuel into the fuel tank.
6. Tilt the vehicle and secure properly.

Do not tow your FOURTRAX behind a car or other vehicle.

▲ WARNING

POTENTIAL HAZARD

Inclining this ATV without first draining fuel from the carburetor.

WHAT CAN HAPPEN

The fuel could explode or ignite.

HOW TO AVOID THE HAZARD

Always drain fuel from the carburetor before inclining this ATV.

Always handle fuel in a well-ventilated area with the engine off. Do not smoke or allow flames or sparks in the area where fuel is handled.

If any fuel is spilled, make sure the area is dry before starting the engine.

▲ WARNING

POTENTIAL HAZARD

Prolonged contact of fuel with the skin.
Breathing fuel vapor.

WHAT CAN HAPPEN

The fuel can cause skin irritation.
Fuel vapor could cause lung damage.

HOW TO AVOID THE HAZARD

Avoid repeated or prolonged contact of fuel with the skin or breathing of fuel vapor.

KEEP OUT OF REACH OF CHILDREN.

STORING YOUR FOURTRAX

STORAGE

Before storing your FOURTRAX for an extended time, be sure you thoroughly check the vehicle for needed repairs and have them corrected. Otherwise, the repairs may be forgotten by the time you remove the vehicle from storage.

In addition, extended storage requires that you take the following steps to reduce the effects of deterioration from non-use of the vehicle:

1. Change the engine oil and oil filter.
2. Lubricate the drive chain.
3. Drain the fuel tank and carburetor. Be sure to drain the fuel in a well-ventilated area, not in a garage.

▲ WARNING

POTENTIAL HAZARD

Refueling this ATV or handling fuel improperly.

WHAT CAN HAPPEN

The fuel could explode or ignite.

HOW TO AVOID THE HAZARD

Always refuel this ATV and handle fuel in a well-ventilated area with the engine off. Do not smoke or allow flames or sparks in the area where fuel is handled.

Do not overfill the tank. Be careful not to spill fuel when refueling. After refueling, make sure the tank cap is closed properly and securely.

If any fuel is spilled, make sure the area is dry before starting the engine.

▲ WARNING

POTENTIAL HAZARD

Prolonged contact of fuel with the skin.
Breathing fuel vapor.

WHAT CAN HAPPEN

The fuel can cause skin irritation.
Fuel vapor could cause lung damage.

HOW TO AVOID THE HAZARD

Avoid repeated or prolonged contact of fuel with the skin or breathing of fuel vapor.

KEEP OUT OF REACH OF CHILDREN.

4. Spray the inside of the fuel tank with an aerosol rust-inhibiting oil. Reinstall the fuel cap.
5. Remove the spark plug and pour one tablespoon (15–20 cc) of clean engine oil into the cylinder.
Operate the starter for a few seconds to distribute the oil, then reinstall the spark plug. (Make sure the engine stop switch is OFF before pressing the starter button.)
6. Remove the battery and store it in an area protect from freezing temperatures and direct sunlight and out of the reach of children. Slow charge the battery once a month.

⚠ WARNING

POTENTIAL HAZARD

Allowing open flames or sparks near the battery.

WHAT CAN HAPPEN

Gases may explode and possibly cause injury.

HOW TO AVOID THE HAZARD

Do not allow open flames or sparks near the battery.

7. Wash and dry the FOURTRAX, and wax all painted surfaces.
8. Inflate the tires to their recommended pressures.
9. Place the FOURTRAX on blocks to raise all four tires off the ground.

SPECIFICATIONS

DIMENSIONS	
Overall length	71.5 in (1,816 mm)
Overall width	41.3 in (1,050 mm)
Overall height	40.9 in (1,040 mm)
Wheelbase	43.1 in (1,095 mm)
WEIGHT	
Dry Weight	423.3 lbs (192 kg)
CAPACITIES	
Engine oil	2.0 US qt (1.9 ℓ)
Fuel tank	2.2 US gal (8.1 ℓ)
Fuel reserve	0.60 US gal (2.3 ℓ)
ENGINE	
Bore and stroke	2.56 x 2.36 in (65 x 60 mm)
Compression ratio	8.4 : 1
Displacement	12.1 cu-in (199.1 cc)
Spark plug gap	0.024—0.028 in (0.6—0.7 mm)
Valve clearance	0.006 in (0.16 mm)
CHASSIS AND SUSPENSION	
Caster angle	5°
Trail length	0.71 in (21 mm)
Tire size, Front	AT 21 x 7—10★
Rear	AT 22 x 9—8★
POWER TRANSMISSION	
Primary reduction	3.087
Final reduction	3.500
Gear ratio	
1st	3.545
2nd	2.267
3rd	1.500
4th	1.042
Reverse gear ratio	5.850

SERIAL NUMBERS

The frame, engine and key numbers (Fig 5-1) will be needed when you order replacement parts. Record the numbers here for your reference.

The frame serial number (2) is stamped on the front of the frame. The engine serial number (3) is stamped on the right crankcase.

KEY NO. _____

FRAME NO. _____

ENGINE NO. _____

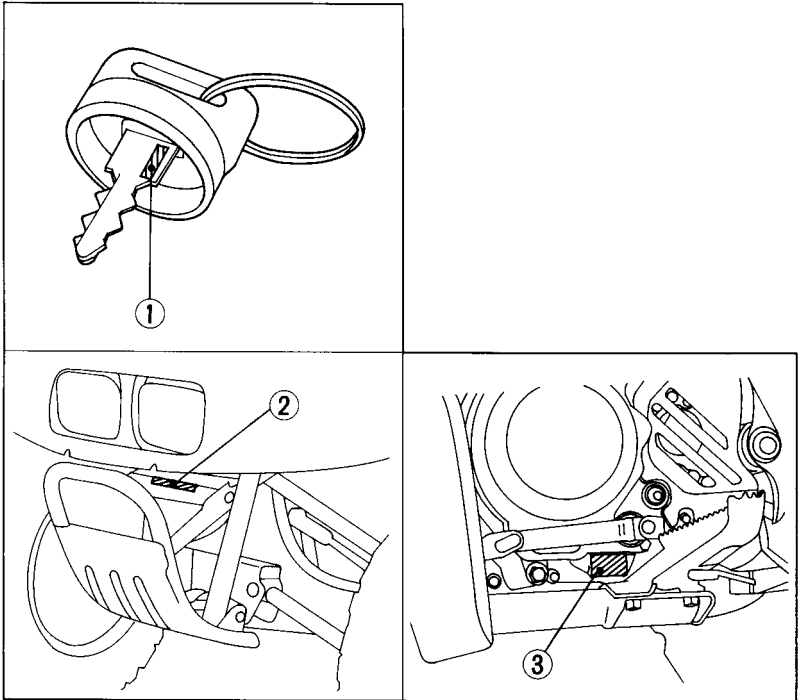


Fig.5-1 (1) Key number (2) Frame number (3) Engine number

INDEX

A

Accessories	38
Age recommendation	30
Air cleaner	
Case drain tube	92
Filter	89
Air pressure gauge	29
Apparel, recommended	40

B

Battery	108
Brakes	
Brake cables	120
Brake fluid	115
Front brakes	
Adjustment	111
Brake lever	22
Brake lever free play	111
Brake shoes	111
Parking brake	25
Rear brake	
Brake lever	25
Brake lever free play	119
Brake pedal	25
Brake pedal free play	117
Break-in procedures	ii

C

Carburetor	
Air-fuel mixture adjustment	94
High altitude adjustment	95
Idle speed adjustment	93
Cargo carrying	
Loading and operational guidelines	36
Weight limits	35
Choke	
Cable	93
Knob	15, 93
Climbing hills	63
Clutch adjustment	106

Crossing slopes	72
Customer service	139
D	
Dimmer switch	18
Dipstick	25, 96
Drive chain	100
E	
Engine	
Break-in procedures	ii
Flooded engine	56
Starting the engine	53
Engine oil	
Changing oil	96
Checking oil level and adding oil	96
Oil filler cap/dipstick	25, 96
Recommendations	97
Engine stop switch	14
Exhaust system	
Cleaning	33
Purging	130
F	
Flag pole bracket	27
Flooded engine	56
Fuel	
Fuel recommendations	84
Fuel strainer screen	86
Fuel tank cap	23, 82
Fuel tank cap vent lever	23
Fuel tank capacity	82
Fuel valve	23
High altitude fuel mixture adjustment	95
Refueling	82
Reserve fuel supply	24
Fuse	
Location	109
Replacement	109

G

Gasoline (see Fuel)	
Gearshift pedal	20
Gearshifting	20, 57

H

Headlight switches	18
Helmet holder	26
High altitude carburetor adjustment	95
Hills	
Riding across slopes	72
Riding down hills	70
Riding up hills	63
Stopping on hills	65
Turning on slopes	73

I

Idle speed adjustment	93
Ignition switch	13
Indicator	
Neutral indicator	19
Indicator lamps	
Neutral indicator lamp	19
Reverse indicator lamp	19
Inspection, pre-ride	32

L

Loading	
Loading guidelines and procedures	36
Weight limits	35
Lubrication	
(see Engine oil)	
Drive chain	100

M

Maintenance	
Precautions	78
Schedule	77
Modifications	40

N	
Neutral indicator	19
Neutral indicator lamp	19
O	
Obstacles, riding over	74
Oil (see Engine oil)	
Oil filler cap/dipstick	25
Owner's manual compartment	29
P	
Parking	76
Parts location	10
Parking brake	22
Passenger carrying	42
Pavement, no riding on	44
Pinging	84
Pre-ride inspection	32
R	
Rear trunk	28
Reverse	
Gear, shifting into	21, 58
Indicator lamp	19
Lock cable	107
Lock lever	107
Riding in reverse	60
Selector knob	21
Rider training course	1, 32
S	
Safety messages, special	1
Seat removal and installation	127
Serial numbers	141
Shifting gears	20, 57
Skid plate, Guard plate	128
Skidding	62
Spark arrester	130

Spark knock	84
Spark plug	104
Specifications	137
Stalling on a hill	65, 67
Starter button	16
Storage compartment	29
Storing procedures	134

T

Throttle	
Cable	88
Lever	17, 88
Tires	
Inflation and air pressure	123
Repairing	126
Specifications	123
Tread condition	125
Tool kit	80
Transporting procedures	132
Turning	
On level ground	60
On slopes	73

V

Valve clearance	105
-----------------------	-----

W

Warning labels	7
Warranty service	139
Water	
Draining from brakes	121
Riding through	75
Weight limits	35
Wheel removal	122
Wiring diagram	138

HONDA MOTOR CO., LTD.

▲WARNING

THIS VEHICLE CAN BE HAZARDOUS TO OPERATE.

A collision or rollover can occur quickly, even during routine maneuvers such as turning and driving on hills or over obstacles, if you fail to take proper precautions.

SEVERE INJURY OR DEATH can result if you do not follow these instructions:

- **BEFORE YOU OPERATE THIS ATV, READ THE OWNER'S MANUAL AND ALL LABELS.**
- **NEVER OPERATE THIS ATV WITHOUT PROPER INSTRUCTION.** Beginners should complete a certified training course.
- **NEVER CARRY A PASSENGER.** You increase your risk of losing control if you carry a passenger.
- **NEVER OPERATE THIS ATV ON PAVED SURFACES.** You increase your risk of losing control if you operate this ATV on pavement.
- **NEVER OPERATE THIS ATV ON PUBLIC ROADS.** You can collide with another vehicle if you operate this ATV on a public road.
- **ALWAYS WEAR AN APPROVED MOTORCYCLE HELMET,** eye protection, and protective clothing.
- **NEVER CONSUME ALCOHOL OR DRUGS** before or while operating this ATV.
- **NEVER OPERATE THIS ATV AT EXCESSIVE SPEEDS.** You increase your risk of losing control if you operate this ATV at speeds too fast for the terrain, visibility conditions, or your experience.
- **NEVER ATTEMPT WHEELIES, JUMPS, OR OTHER STUNTS.**